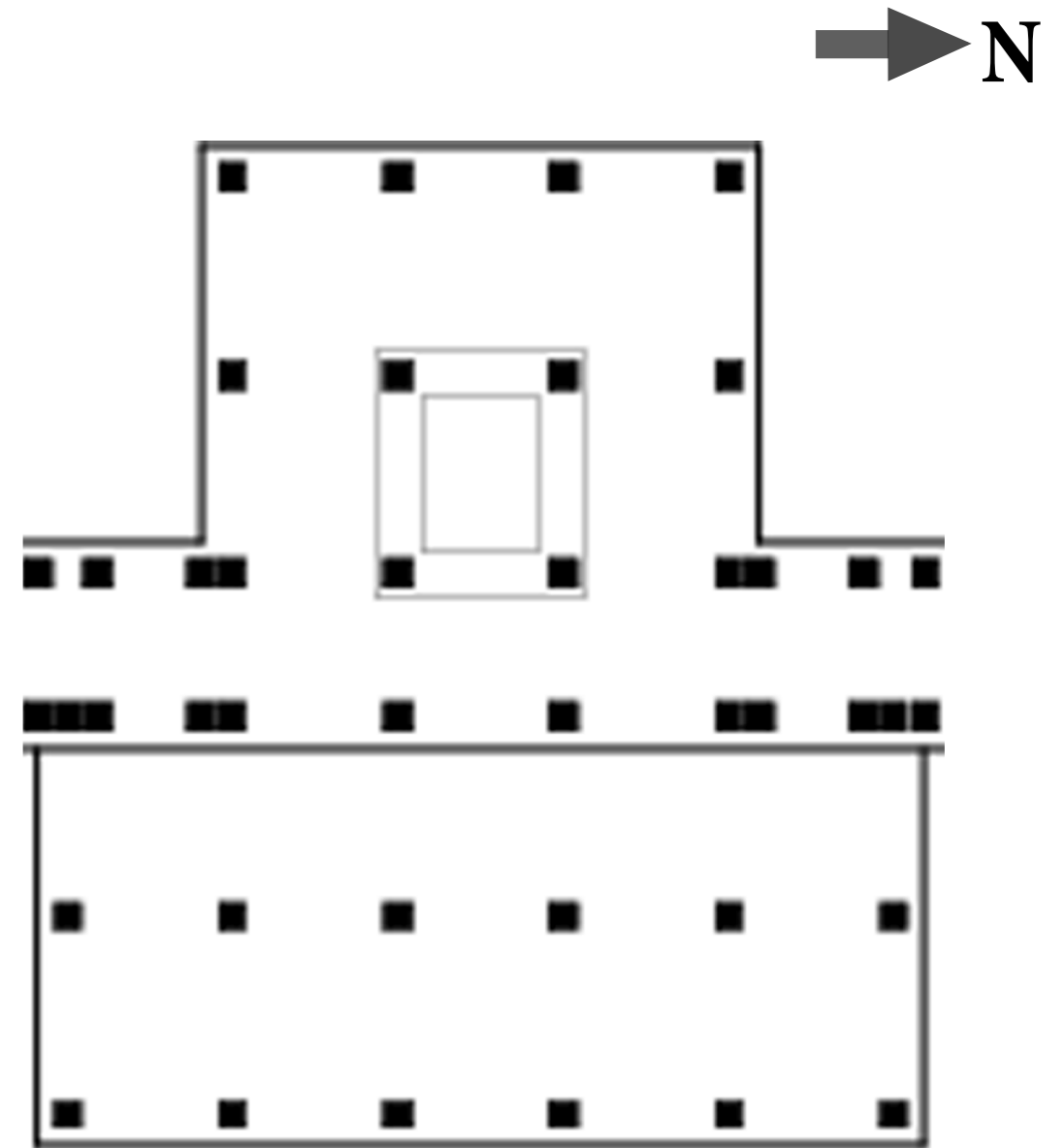
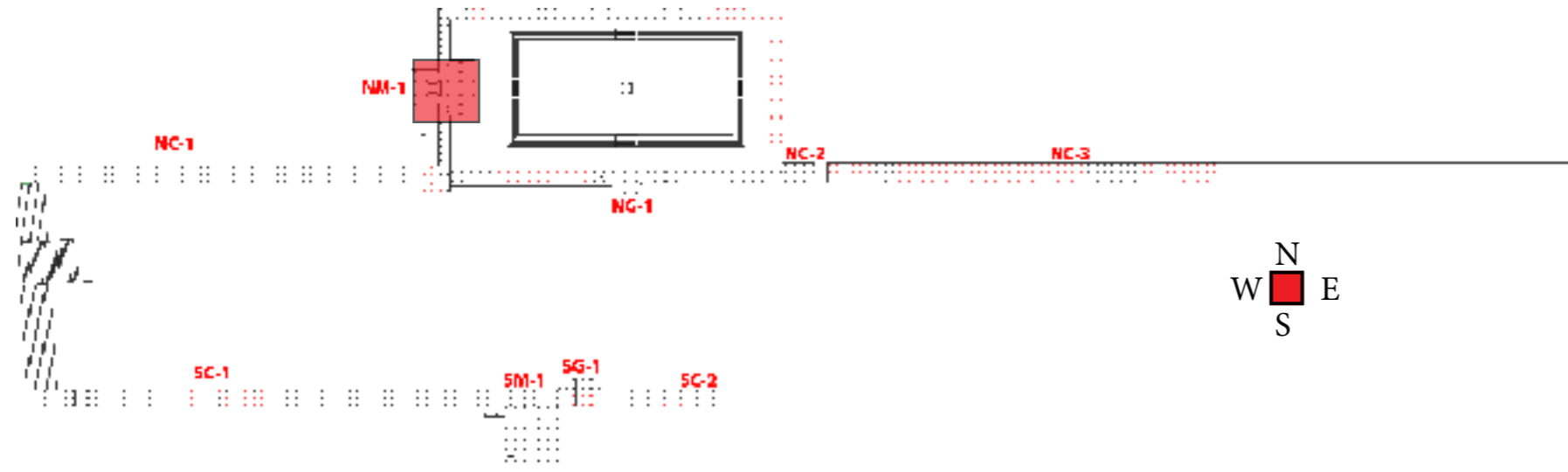


NM-1

Iconography of Krishna Bazaar



Iconography of Krishna Bazaar

a/ E



Garuda in anjali hasta

a/ S



Kalinga mardana
Krishna

a/ W

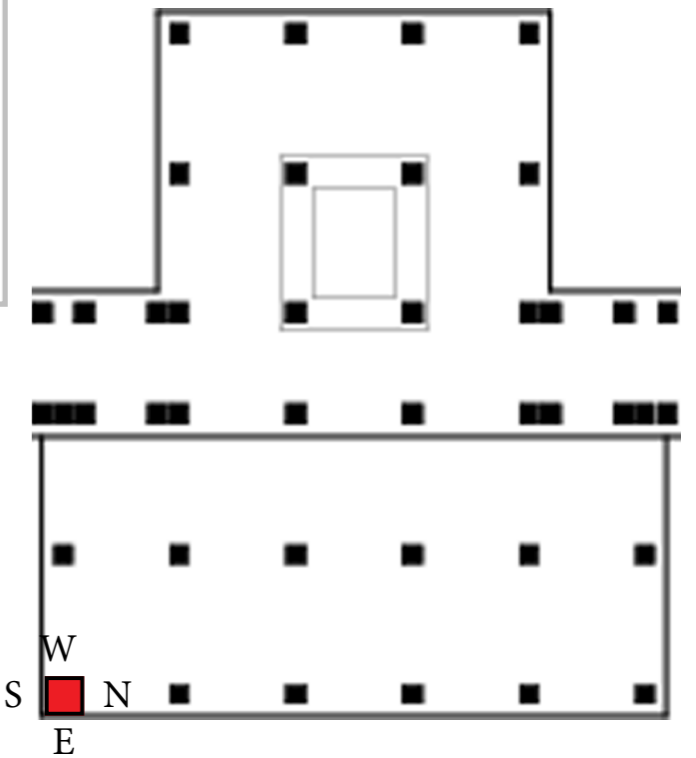


Creeper Motif

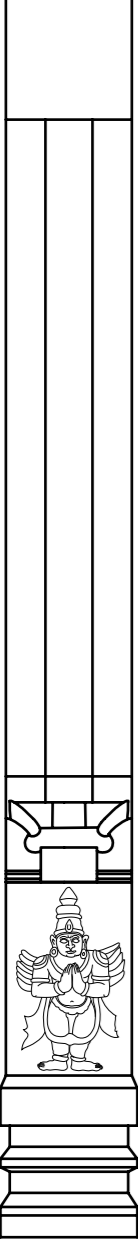



a/ N

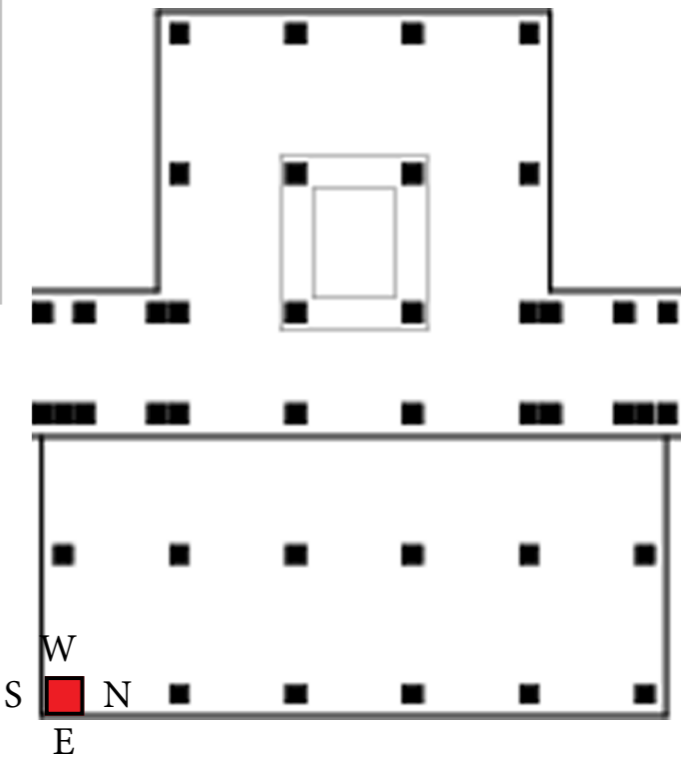


Squatting Yali /Lion



Iconography of Krishna Bazaar

a/ E	a/ S	a/ W	a/ N
 <p data-bbox="216 1545 483 1577">Garuda in anjali hasta</p>	 <p data-bbox="715 1545 923 1608">Kalinga mardana Krishna</p>	 <p data-bbox="1329 1545 1501 1577">Creeper Motif</p>	 <p data-bbox="1863 1545 2101 1577">Squatting Yali / Lion</p>



Iconography of Krishna Bazaar

b / E



Narasimha

b / S



Kurma (tortoise)
avatara

b / W

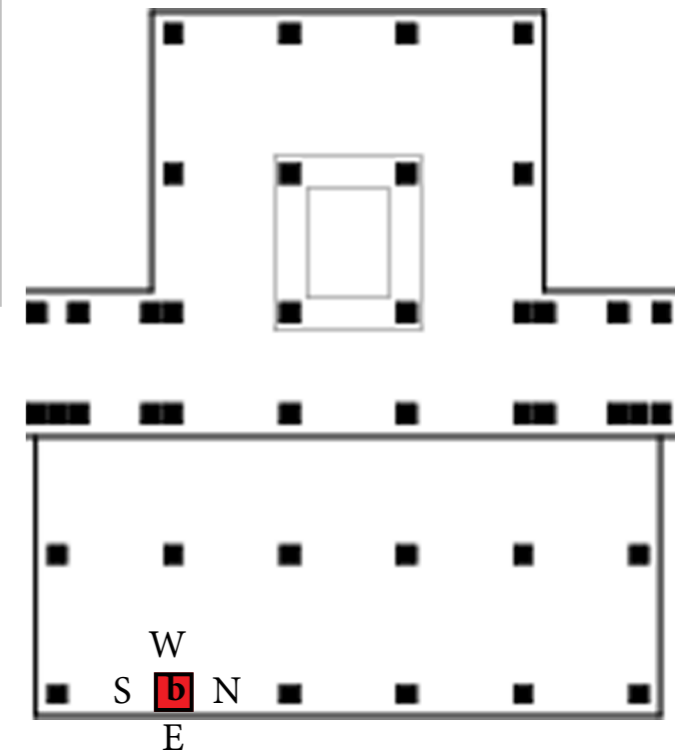


Male folk dancer with
chauris

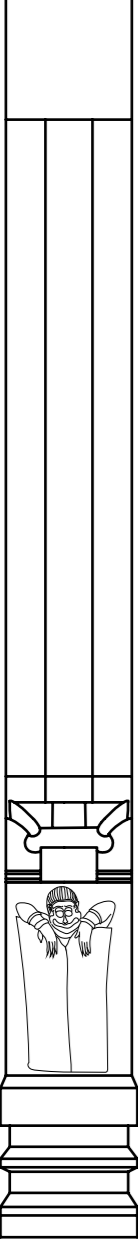
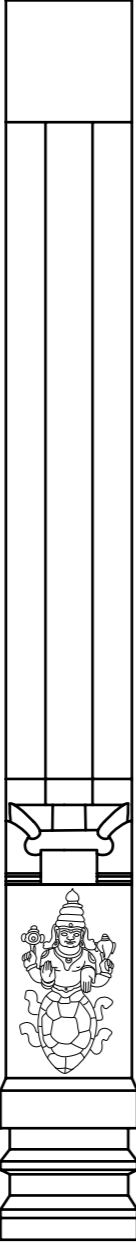


b / N

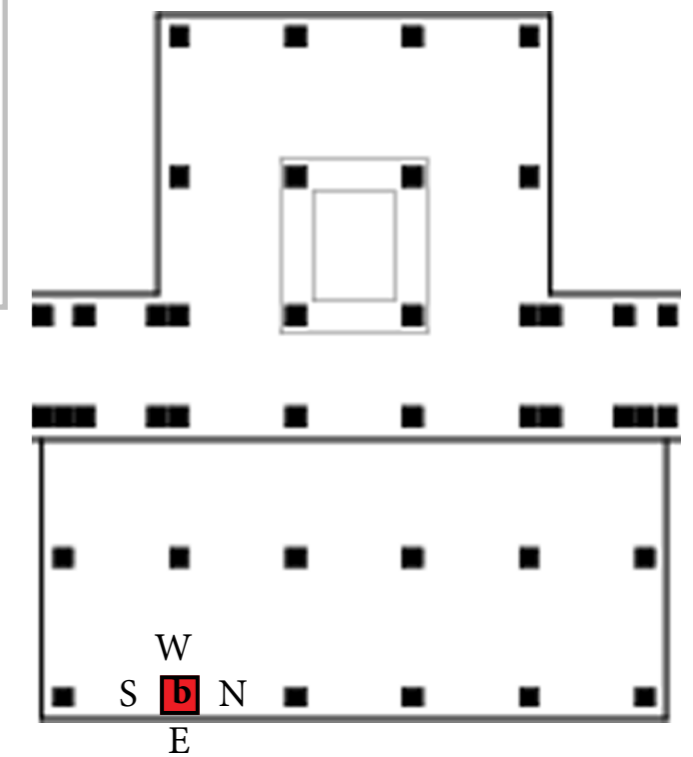


Lajja Gouri



Iconography of Krishna Bazaar

b / E	b / S	b / W	b / N
 <p data-bbox="216 1528 373 1562">Narasimha</p>	 <p data-bbox="780 1528 988 1593">Kurma (tortoise) avatara</p>	 <p data-bbox="1326 1528 1596 1598">Male folk dancer with chauris</p>	 <p data-bbox="1938 1528 2080 1562">Lajja Gouri</p>



Iconography of Krishna Bazaar

c /E



Hanuman/Anjaneya
in anjali hasta

c /S



Sidda (ascetic) under-
neath tree motif

c /W

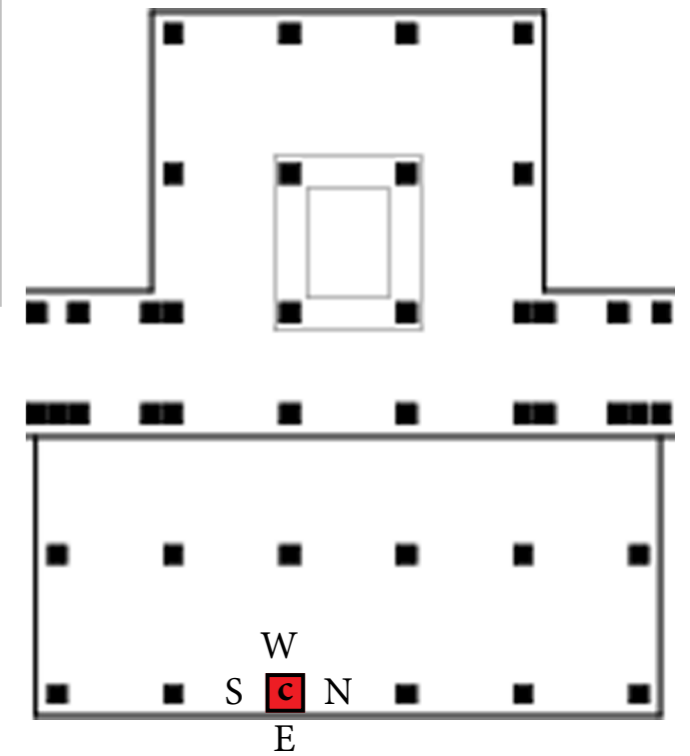


Narasimha

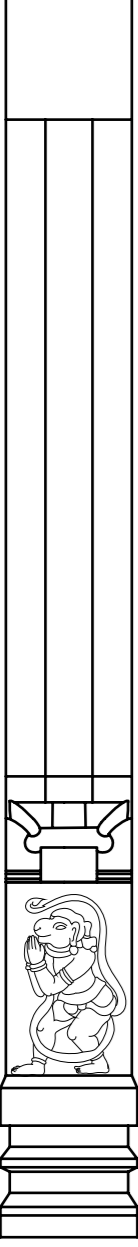



c /N

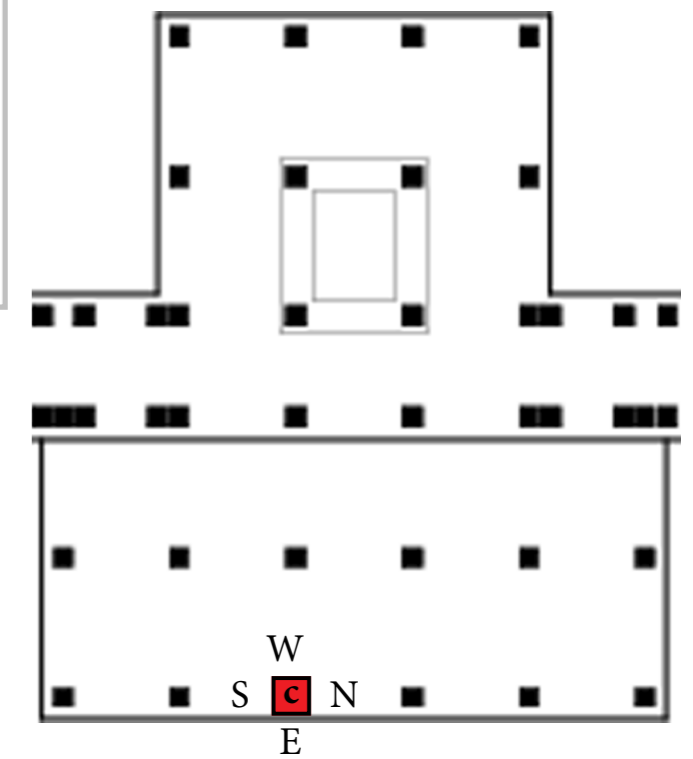


Garuda in anjali hasta



Iconography of Krishna Bazaar

c / E	c / S	c / W	c / N
 <p data-bbox="181 1539 433 1608">Hanuman/Anjaneya in anjali hasta</p>	 <p data-bbox="750 1533 1018 1602">Siddha (ascetic) under- neath tree motif</p>	 <p data-bbox="1344 1528 1478 1560">Narasimha</p>	 <p data-bbox="1863 1533 2131 1564">Garuda in anjali hasta</p>



Iconography of Krishna Bazaar

d / E



Squatting Yali/Lion

d / S



Standing Hanuman/
Anajaneya with raised
hand

d / W

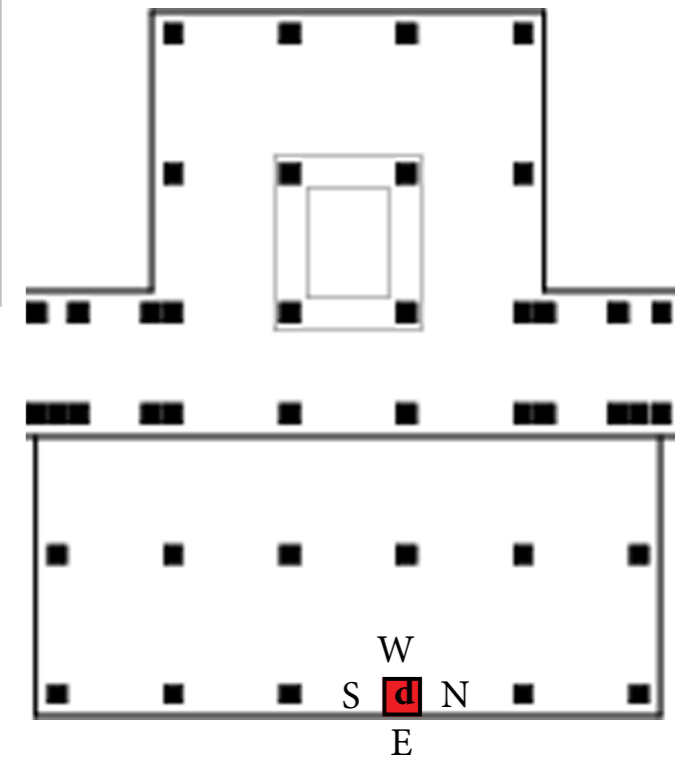


Standing Sidda (ascet-
ic) with snake

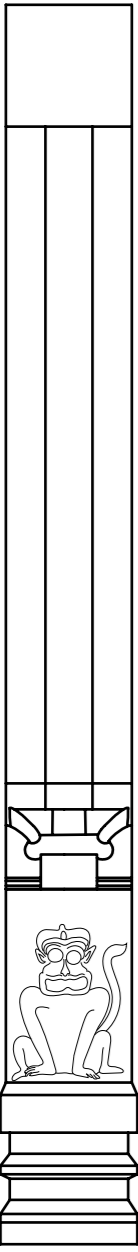
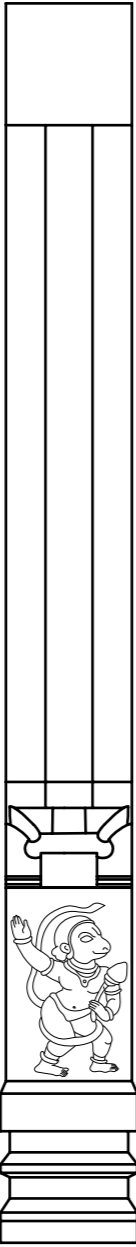


d / N

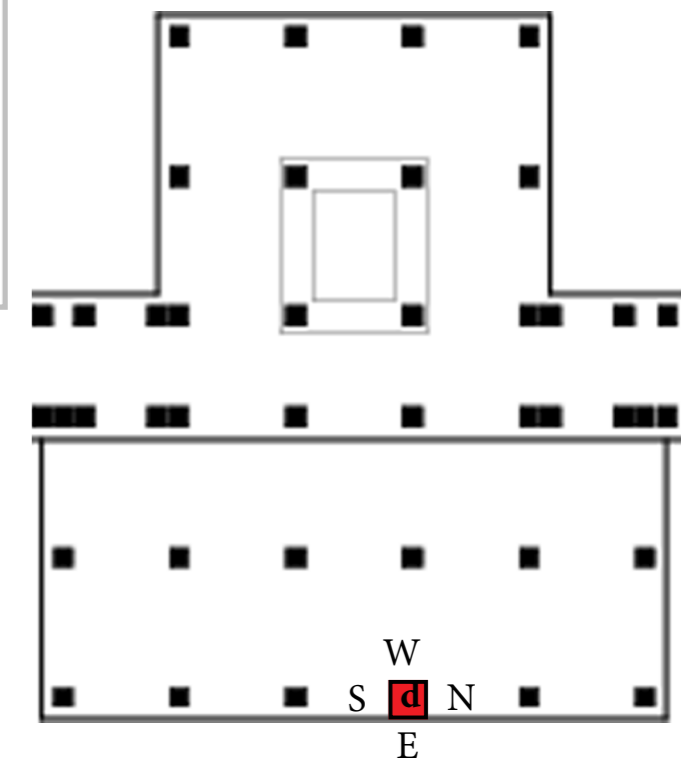


Kalasha



Iconography of Krishna Bazaar

d / E	d / S	d / W	d / N
 <p data-bbox="201 1528 439 1560">Squatting Yali/Lion</p>	 <p data-bbox="765 1528 1038 1627">Standing Hanuman/ Anajaneya with raised hand</p>	 <p data-bbox="1329 1528 1602 1591">Standing Sidda (ascet- ic) with snake</p>	 <p data-bbox="1941 1528 2053 1560">Kalasha</p>



Iconography of Krishna Bazaar

e /E



Squatting Yali /Lion

e /S



Tree motif

e /W

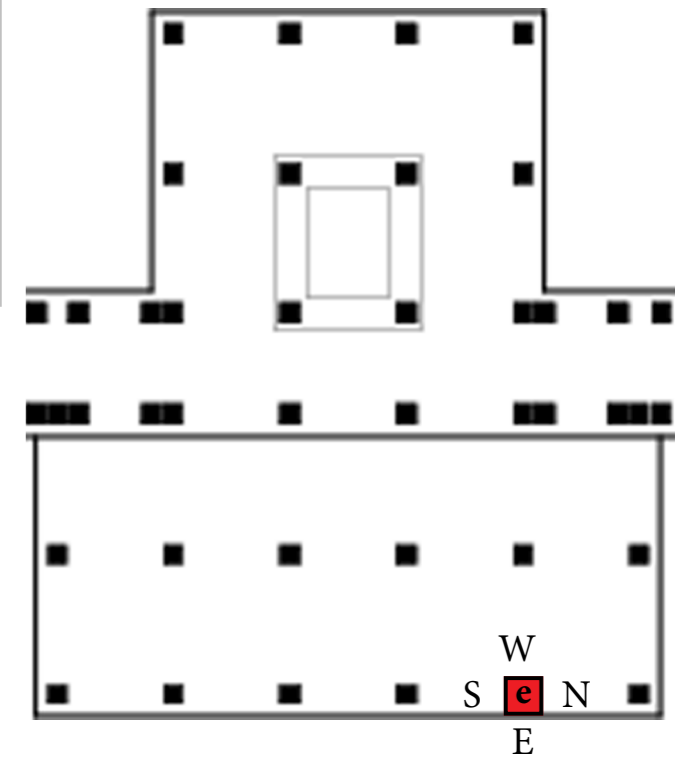


Squatting Yali /Lion

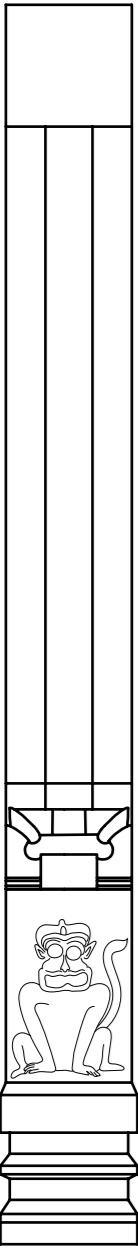



e /N

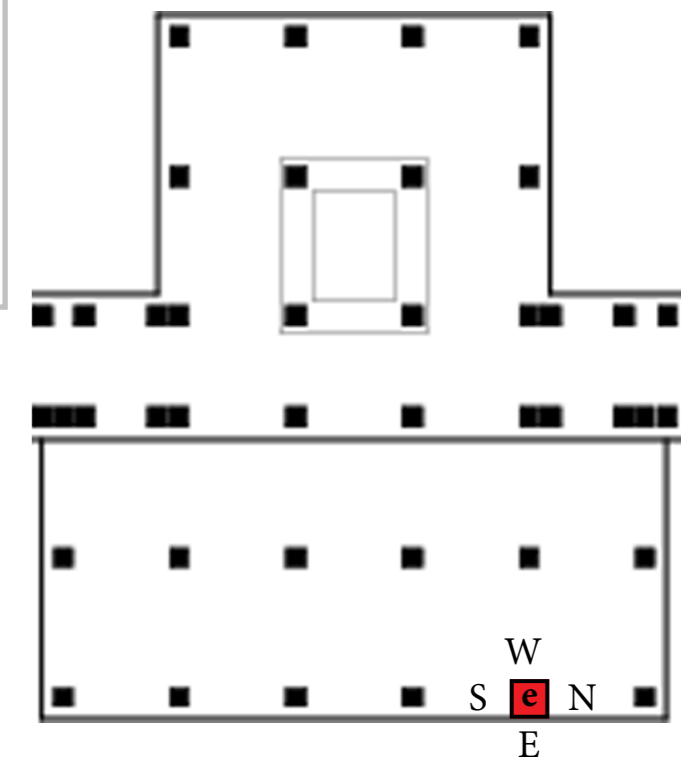


Standing Garuda in anjali hasta



Iconography of Krishna Bazaar

e /E	e /S	e /W	e /N
 <p data-bbox="172 1528 418 1570">Squatting Yali /Lion</p>	 <p data-bbox="804 1528 943 1570">Tree motif</p>	 <p data-bbox="1299 1528 1546 1570">Squatting Yali /Lion</p>	 <p data-bbox="1887 1518 2133 1591">Standing Garuda in anjali hasta</p>



Iconography of Krishna Bazaar

f /E



Squatting Yali / Lion

f /S



Decorative motif

f /W

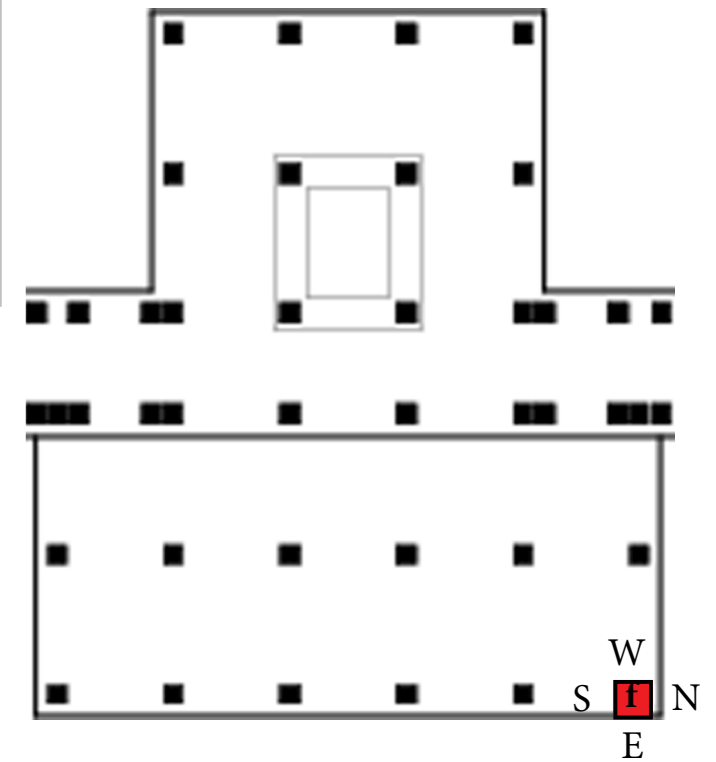


Padmanidhi

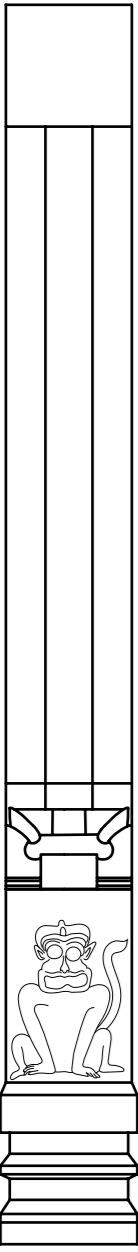
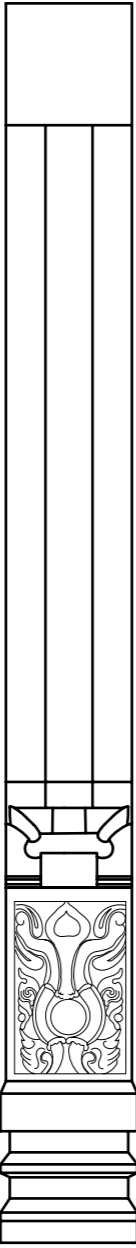


f /N

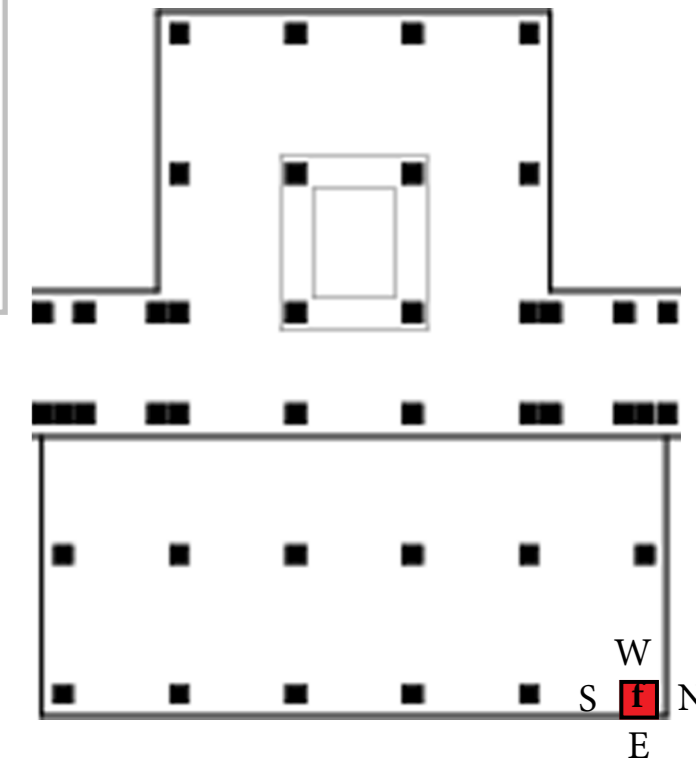


Person wearing gong-
adi (cloak) and hold-
ing staff



Iconography of Krishna Bazaar

f / E	f / S	f / W	f / N
 <p data-bbox="172 1514 418 1545">Squatting Yali / Lion</p>	 <p data-bbox="774 1524 982 1556">Decorative motif</p>	 <p data-bbox="1338 1528 1495 1560">Padmanidhi</p>	 <p data-bbox="1878 1528 2139 1627">Person wearing gong- adi (cloak) and hold- ing staff</p>



Iconography of Krishna Bazaar

g /E



No icons

g /S



No icons

g /W

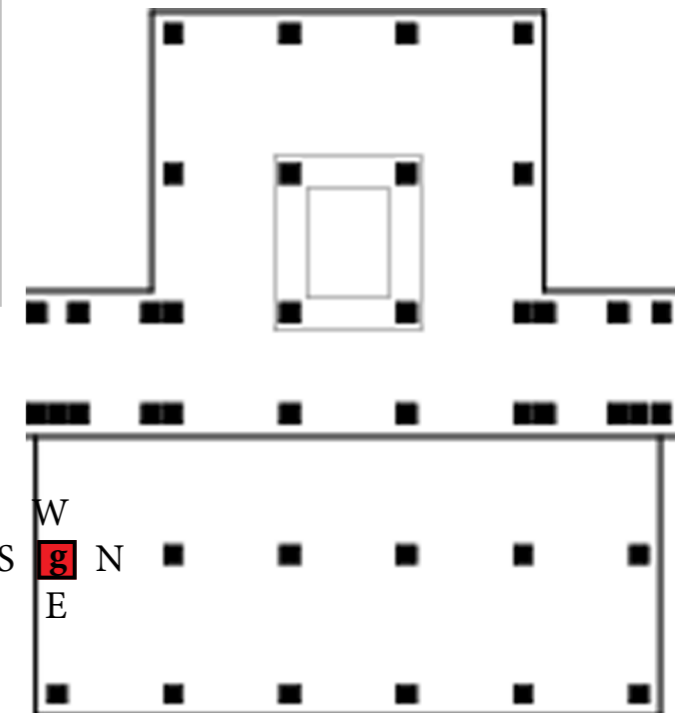


No icons

g /N



No icons



Iconography of Krishna Bazaar

h /E



Seated Ganesha

h /S



Makara

h /W

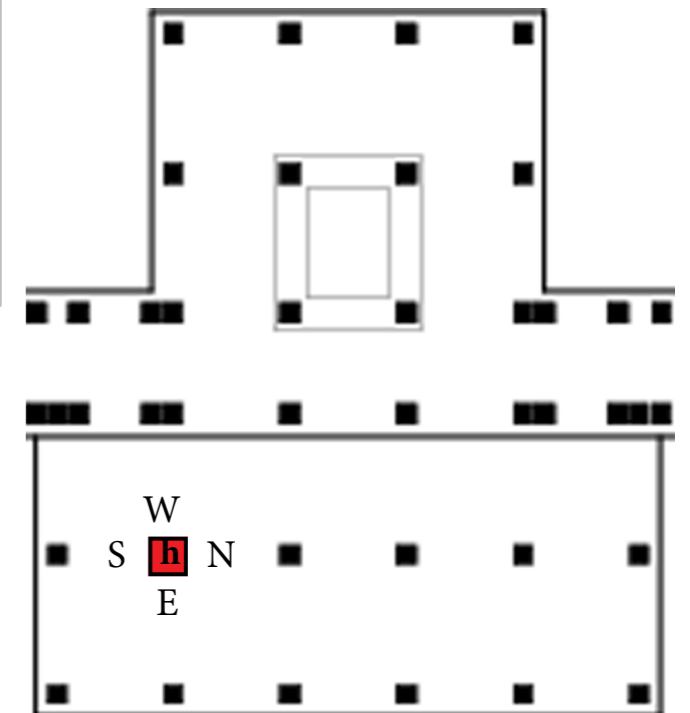


Squatting Yali /Lion

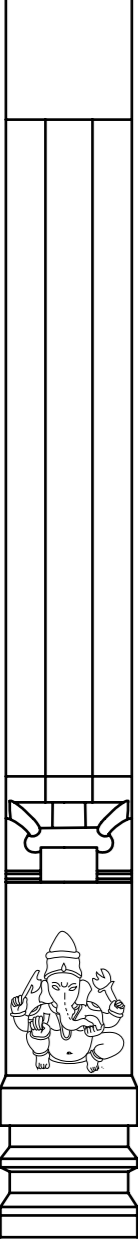
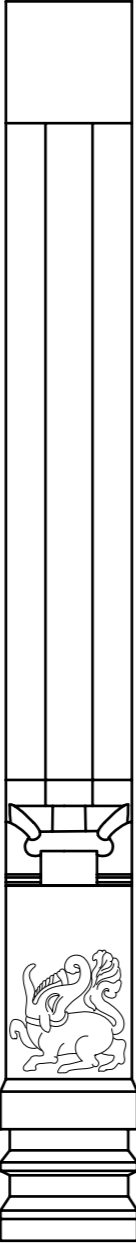


h /N

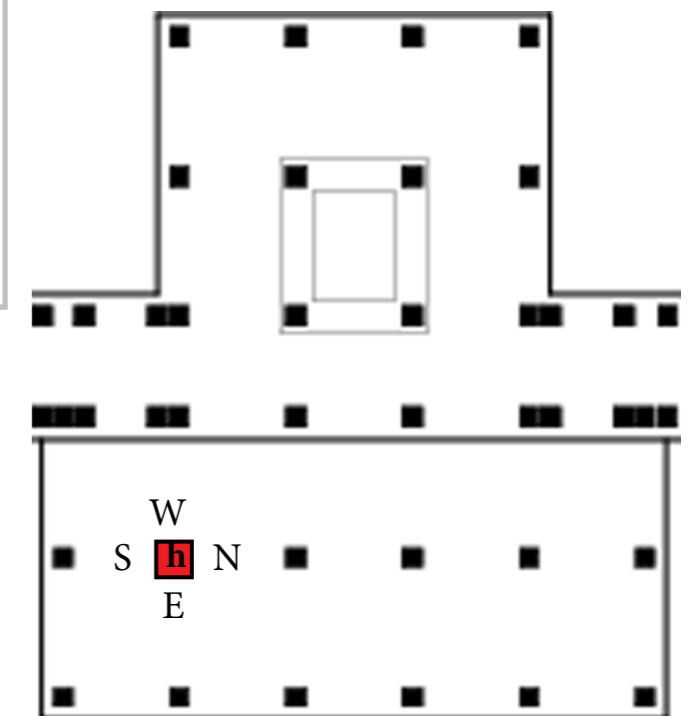


Tree motif



Iconography of Krishna Bazaar

h / E	h / S	h / W	h / N
 <p data-bbox="192 1524 385 1556">Seated Ganesha</p>	 <p data-bbox="825 1535 928 1566">Makara</p>	 <p data-bbox="1320 1528 1567 1560">Squatting Yali /Lion</p>	 <p data-bbox="1938 1528 2071 1560">Tree motif</p>



Iconography of Krishna Bazaar

i /E



Sqautting Yali / Lion

i /S



Tree motif

i /W

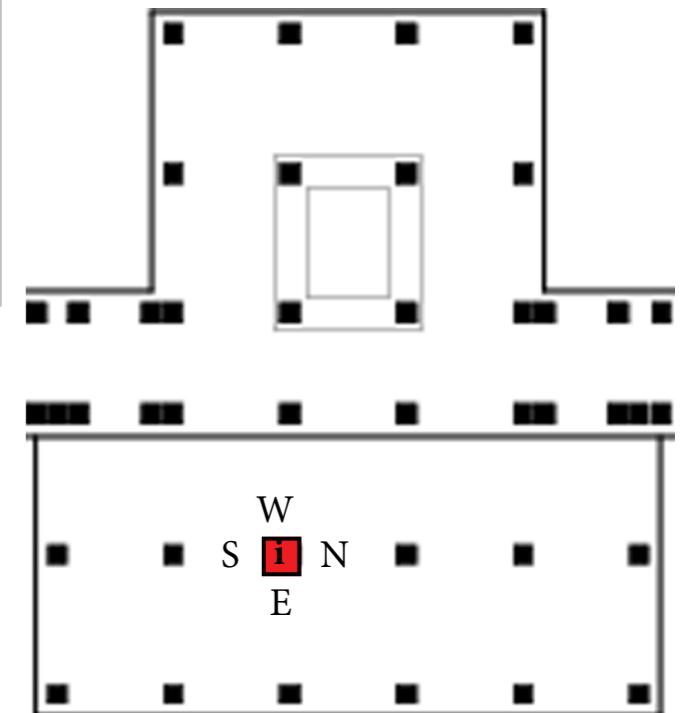


Kalasha

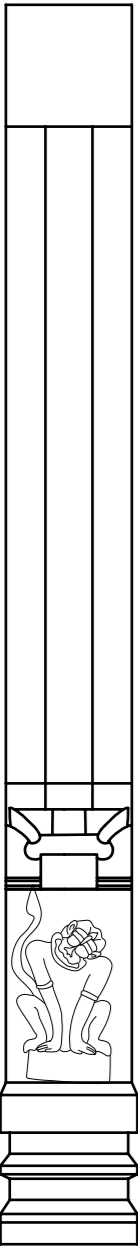
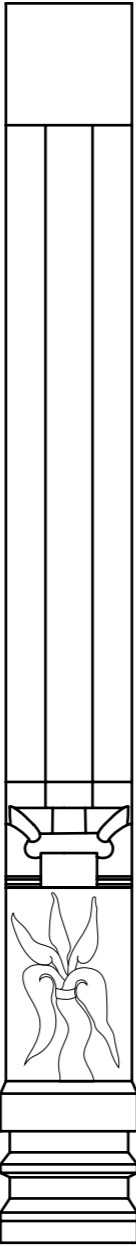


i /N

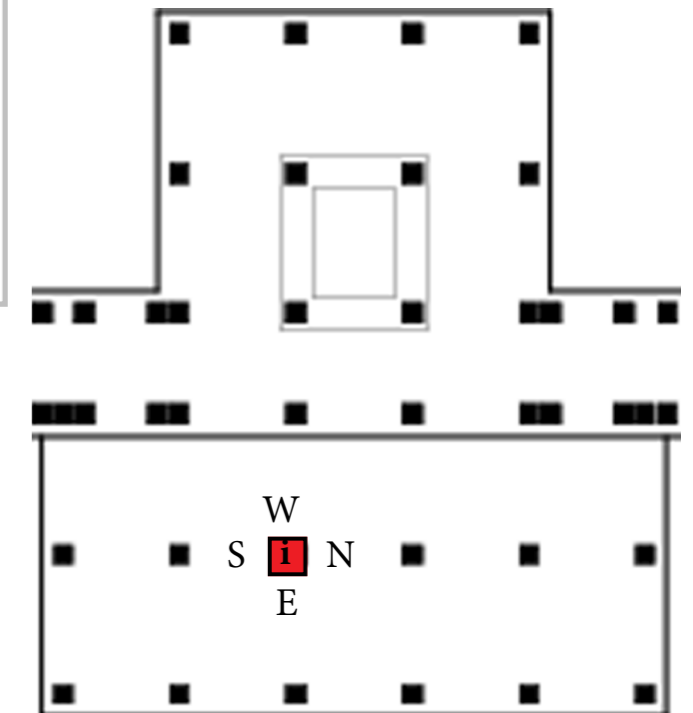


Standing devotee in anjali hasta



Iconography of Krishna Bazaar

i / E	i / S	i / W	i / N
 <p data-bbox="172 1543 418 1579">Squatting Yali / Lion</p>	 <p data-bbox="804 1543 931 1579">Tree motif</p>	 <p data-bbox="1359 1535 1466 1570">Kalasha</p>	 <p data-bbox="1872 1535 2119 1604">Standing devotee in anjali hasta</p>



Iconography of Krishna Bazaar

j /E



Standing Garuda in anjali hasta

j/S



Squatting Yali / lion

j/W

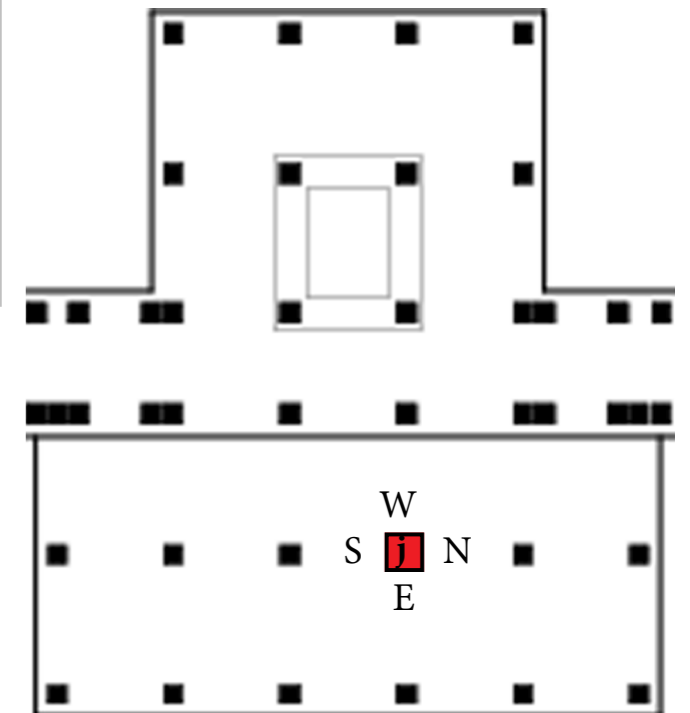


Standing Hanuman / Anjaneya with raised hand

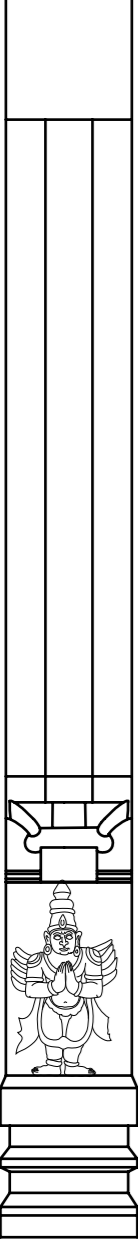
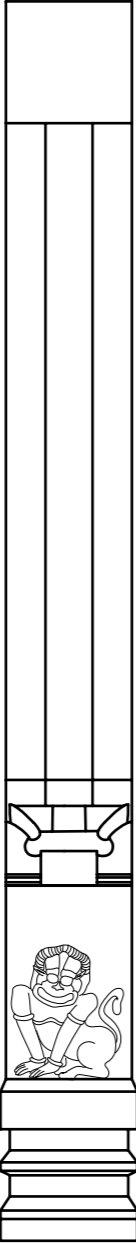


j /N

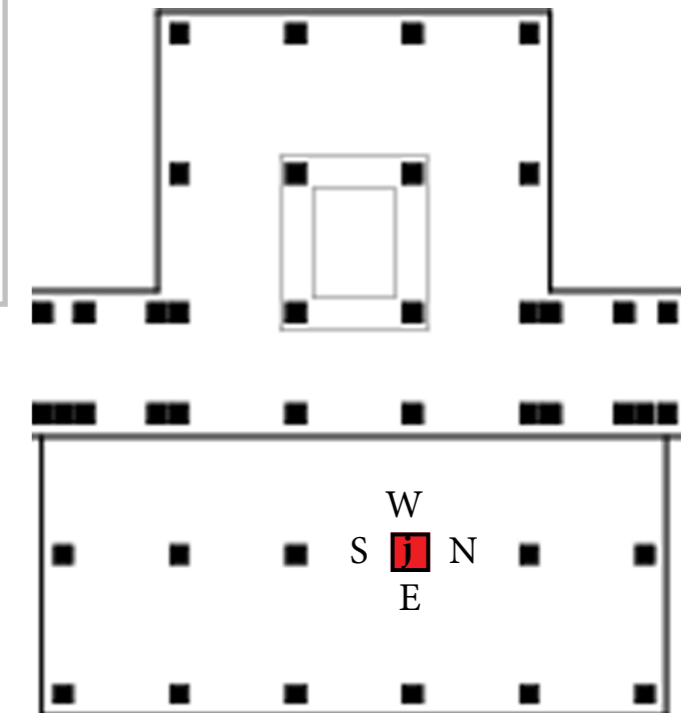


Squatting Yali /Lion



Iconography of Krishna Bazaar

j /E	j /S	j /W	j /N
 <p data-bbox="181 1518 427 1587">Standing Garuda in anjali hasta</p>	 <p data-bbox="759 1524 1006 1556">Squatting Yali / lion</p>	 <p data-bbox="1302 1524 1561 1623">Standing Hanuman / Anjaneya with raised hand</p>	 <p data-bbox="1884 1524 2131 1556">Squatting Yali / Lion</p>



Iconography of Krishna Bazaar

k /E



Squatting Yali / Lion

k/S



Narasimha

k/W

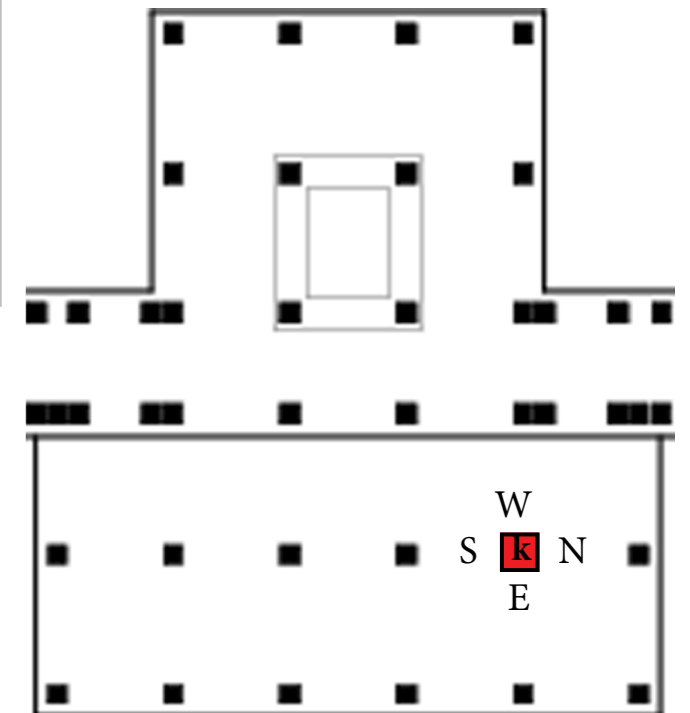


Kalasha

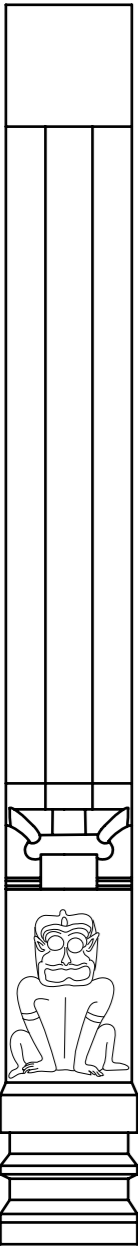
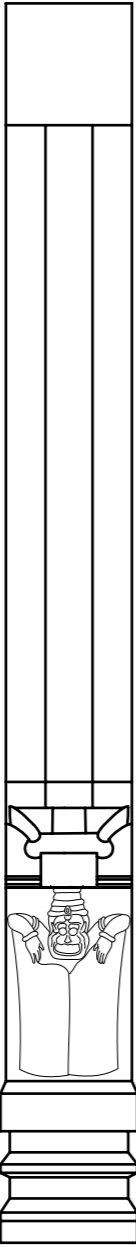


k /N

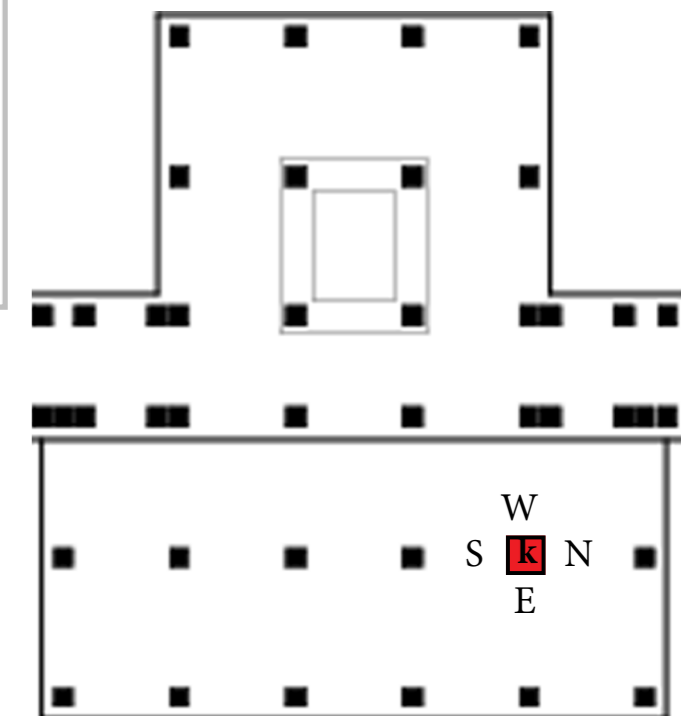


Tree motif







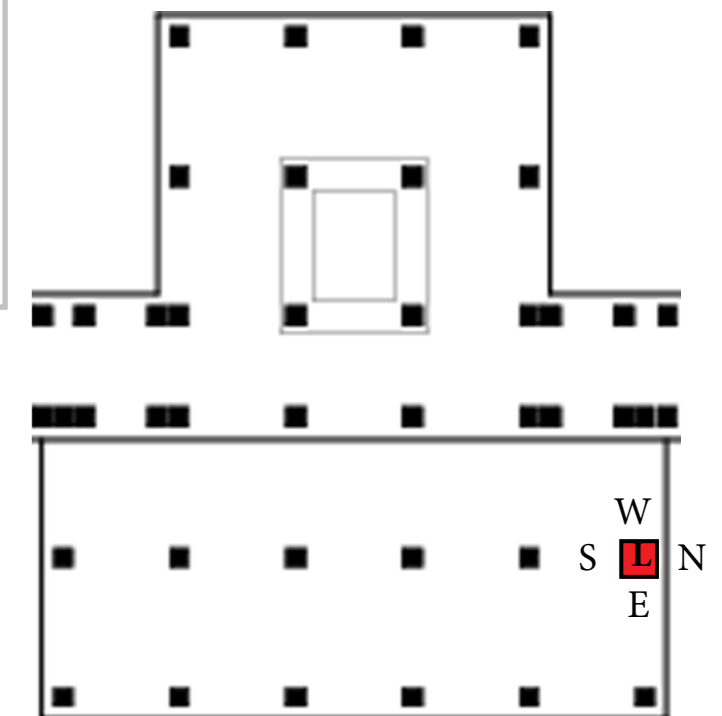
Iconography of Krishna Bazaar

k /E	k /S	k /W	k /N
 <p data-bbox="192 1528 445 1560">Squatting Yali / Lion</p>	 <p data-bbox="795 1528 928 1560">Narasimha</p>	 <p data-bbox="1359 1528 1463 1560">Kalasha</p>	 <p data-bbox="1923 1528 2056 1560">Tree motif</p>





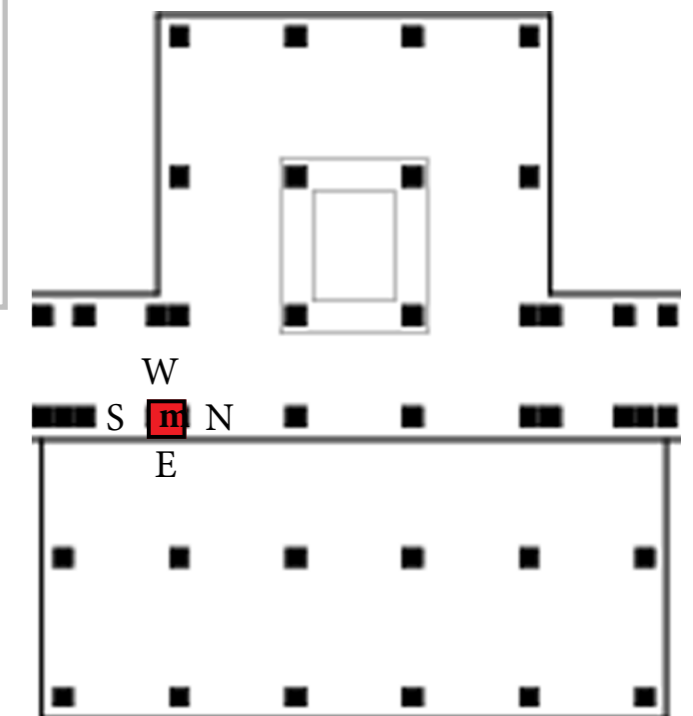
Iconography of Krishna Bazaar

1 /E	1/S	1/W	1 /N
 <p data-bbox="201 1493 314 1528">No icons</p>	 <p data-bbox="783 1493 896 1528">No icons</p>	 <p data-bbox="1362 1493 1475 1528">No icons</p>	 <p data-bbox="1852 1493 1964 1528">No icons</p>

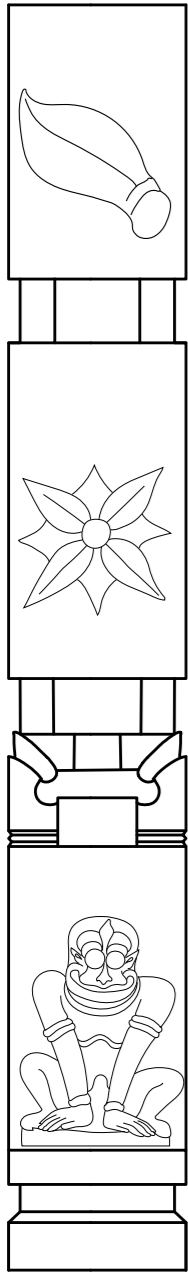
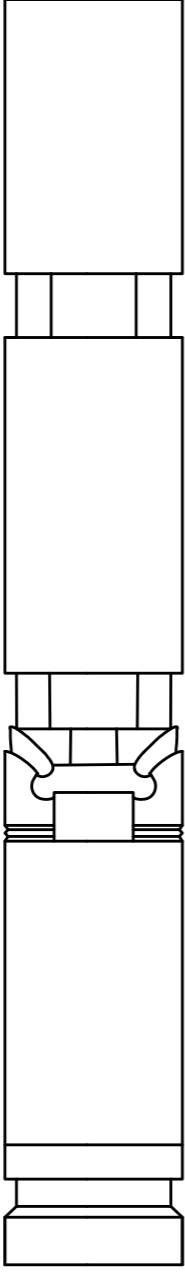
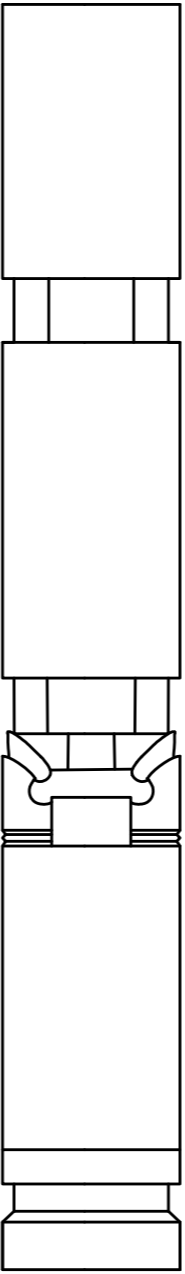
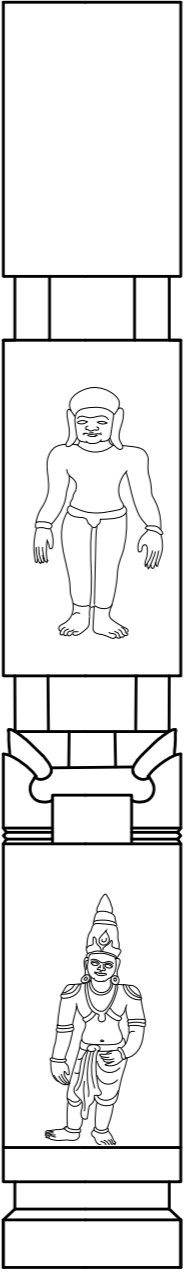


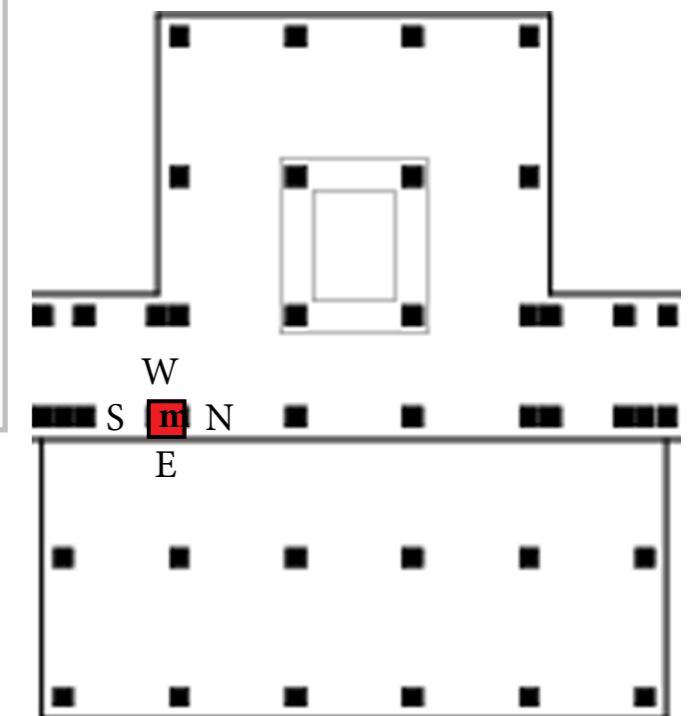
Iconography of Krishna Bazaar

m /E	m /S	m /W	m /N
 <p data-bbox="115 1444 492 1591"> Top- Vaishana emblem sankha (conch) Middle- Flower motif Bottom- Squatting Yali /Lion </p>	<p data-bbox="744 1499 863 1530">No icons</p>	<p data-bbox="1279 1499 1397 1530">No icons</p>	 <p data-bbox="1822 1472 2139 1577"> Top- Middle- Standing person Bottom- Standing royalty </p>







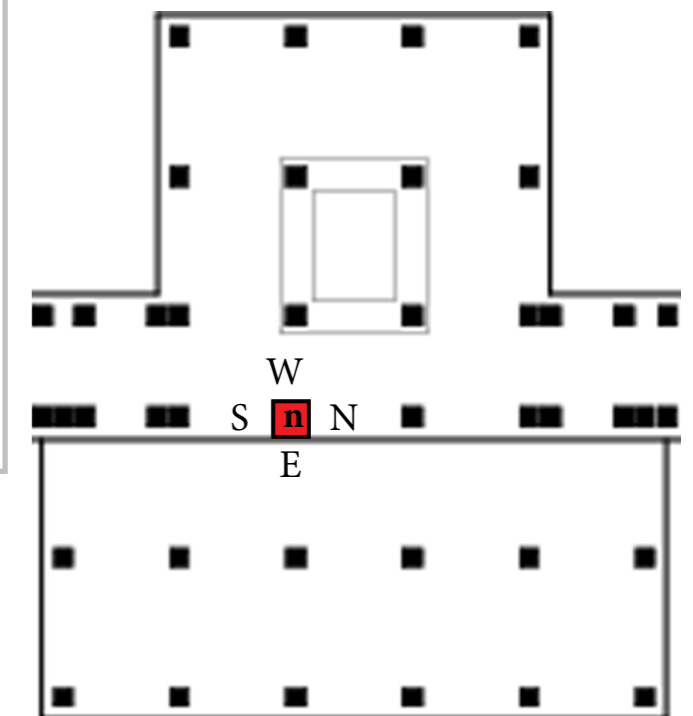
Iconography of Krishna Bazaar

m / E	m / S	m / W	m / N
 <p data-bbox="151 1524 522 1665"> Top- Vaishana emblem sankha (conch) Middle- Flower motif Bottom- Squatting Yali /Lion </p>	 <p data-bbox="804 1570 923 1602">No icons</p>	 <p data-bbox="1338 1570 1457 1602">No icons</p>	 <p data-bbox="1852 1545 2169 1650"> Top- Middle- Standing person Bottom- Standing royalty </p>

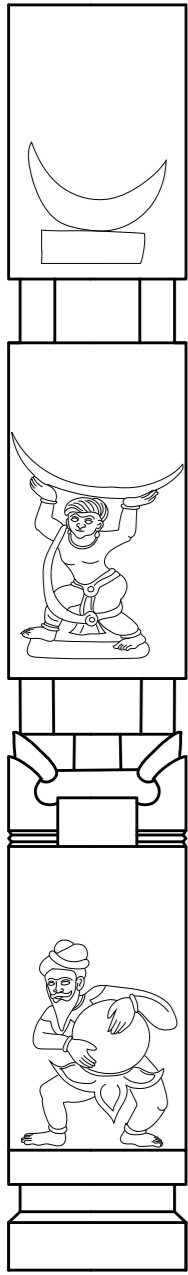
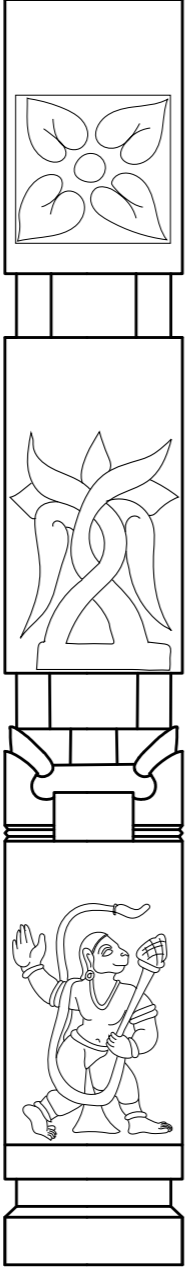
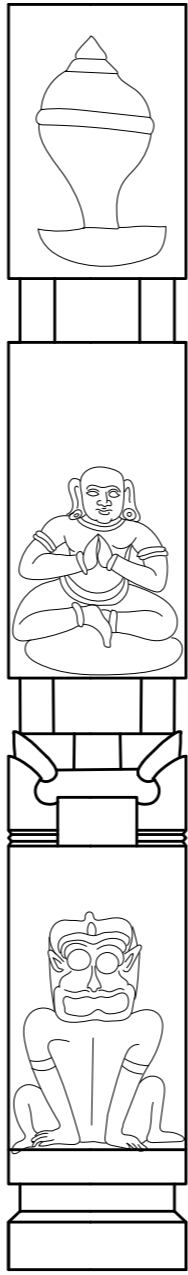
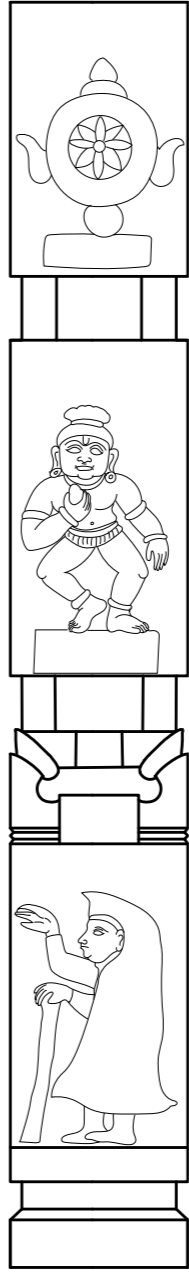


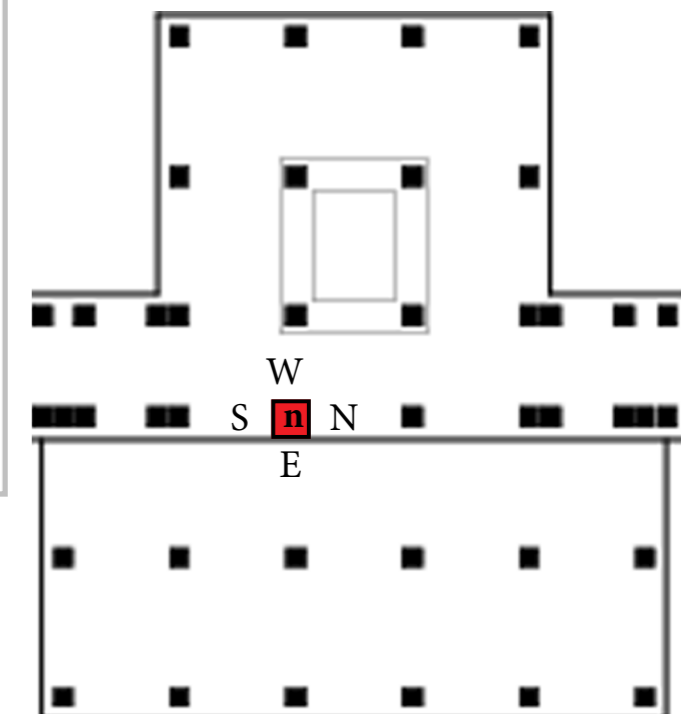
Iconography of Krishna Bazaar

n /E	n /S	n /W	n /N
 <p data-bbox="112 1493 498 1671">Top- Chandra (crescent moon) Middle - Chandra God (Moon God) Bottom- Male folk dancer with Halage (drum)</p>	 <p data-bbox="647 1499 1012 1640">Top- Flower motif Middle- Tree motif Bottom- Standing Hanuman / Anjaneya with raised hand</p>	 <p data-bbox="1249 1493 1656 1671">Top- Vaishanava emblem sankha (conch) Middle- Seated Sidda (ascetic) in anjali hasta Bottom- Squatting Yali /Lion</p>	 <p data-bbox="1813 1493 2220 1709">Top- Vaishnava emblem chakra (wheel) Middle- Krishna eating butter (Navanita nrittamurti) Bottom- Person wearing gongadi (cloak) and holding staff</p>



Iconography of Krishna Bazaar

n /E	n /S	n /W	n /N
			
<p>Top- Chandra (crescent moon) Middle - Chandra God (Moon God) Bottom- Male folk dancer with Halage (drum)</p>	<p>Top- Flower motif Middle- Tree motif Bottom- Standing Hanuman / Anjaneya with raised hand</p>	<p>Top- Vaishnava emblem sankha (conch) Middle- Seated Sidda (ascetic) in anjali hasta Bottom- Squatting Yali /Lion</p>	<p>Top- Vaishnava emblem chakra (wheel) Middle- Krishna eating butter (Navanita nrittamurti) Bottom- Person wearing gongadi (cloak) and holding staff</p>



Iconography of Krishna Bazaar

o /E



Top- Vaishnava emblem sankha (conch)
Middle- Flower motif
Bottom-

o /S



Top- Vaishnava emblem nama
Middle- geometrical motif
Bottom- Standing Hanuman / Anjaneya with raised hand

o /W

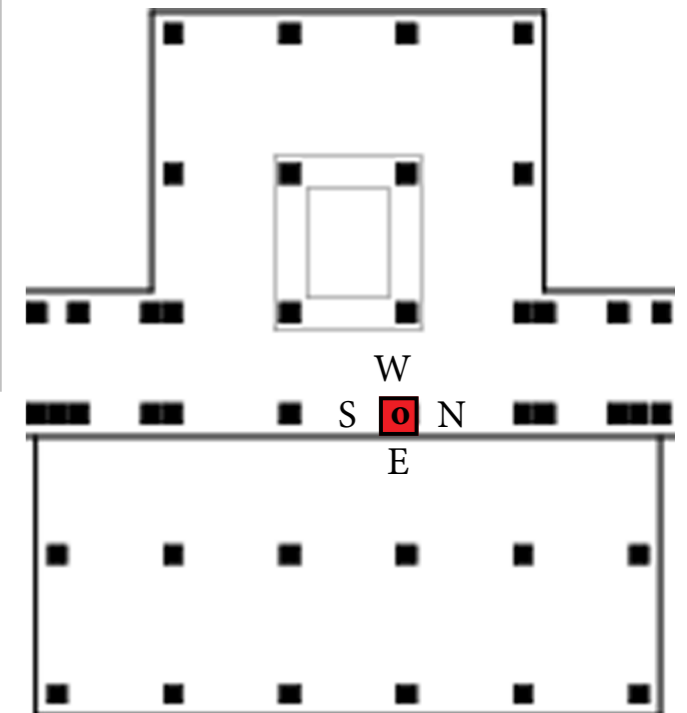


Top- Vaishnava emblem chakra (wheel)
Middle- Seated Garuda in anjali hasta
Bottom- Makara

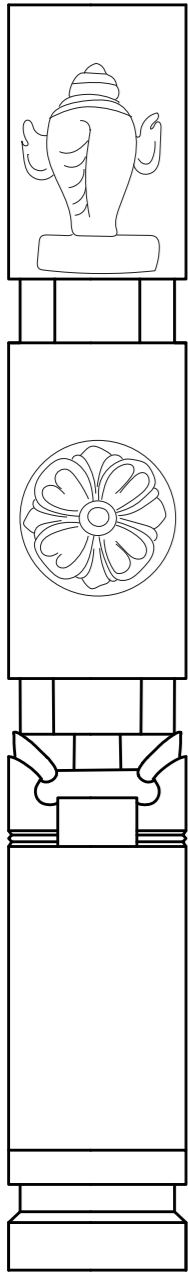
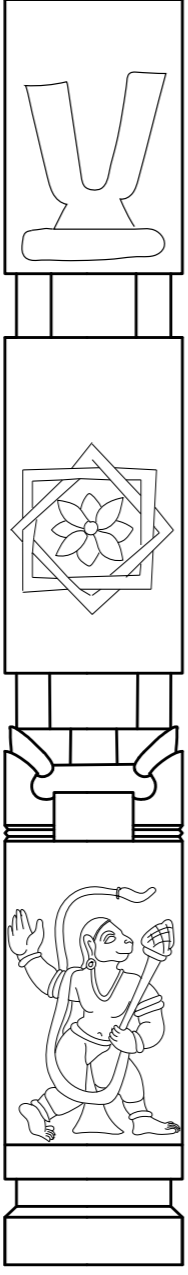
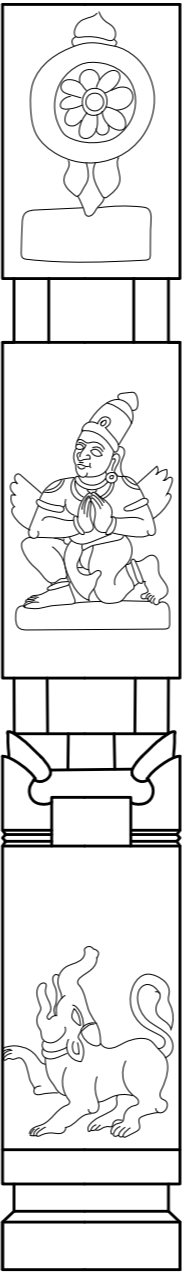
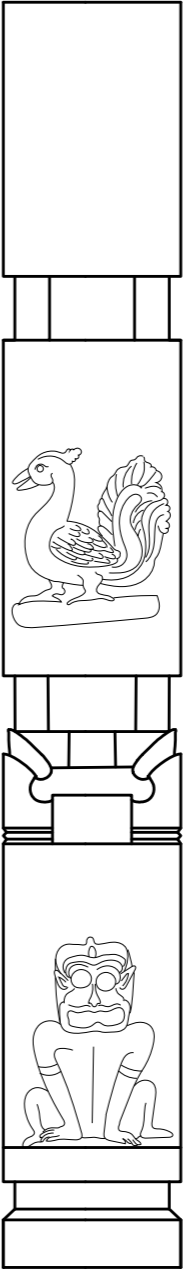
o /N

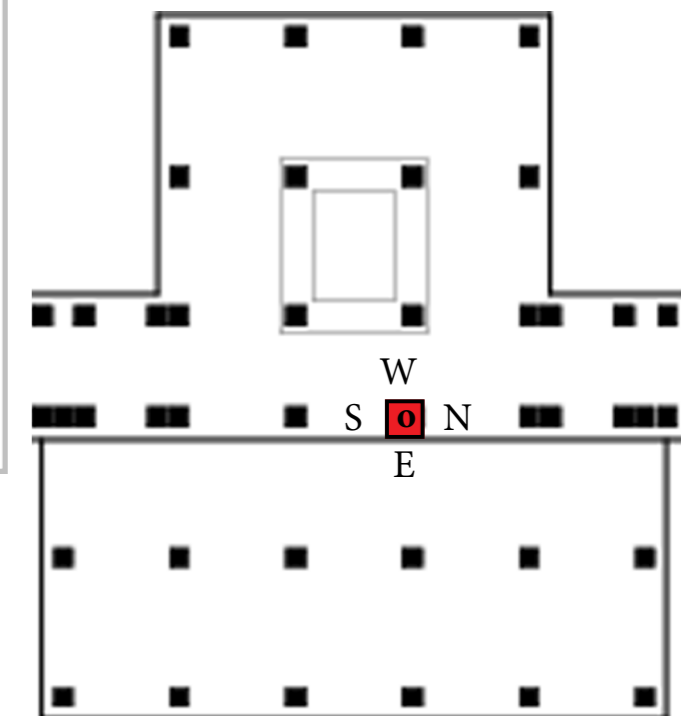


Top- Middle- Hamsa
Bottom- Squatting Yali / Lion

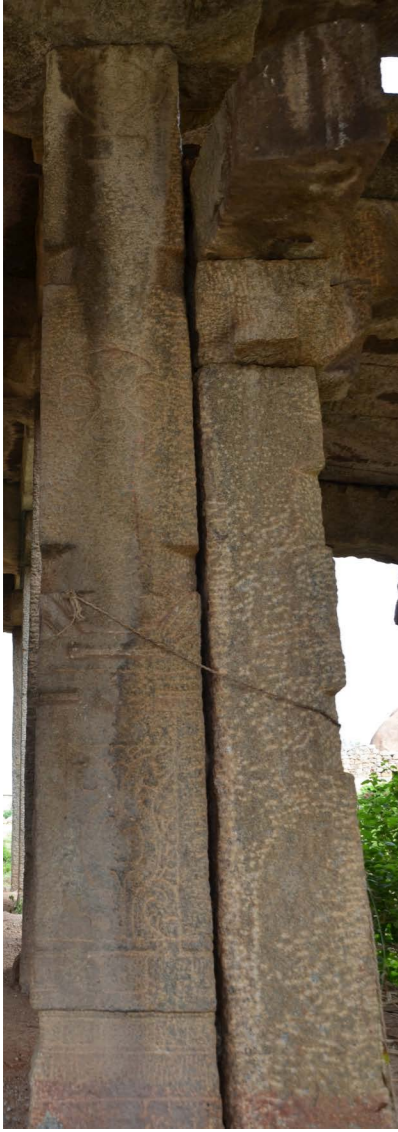
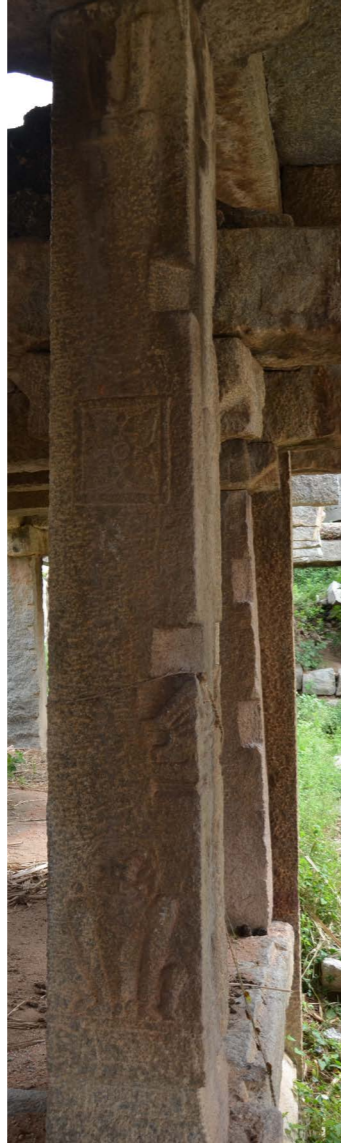


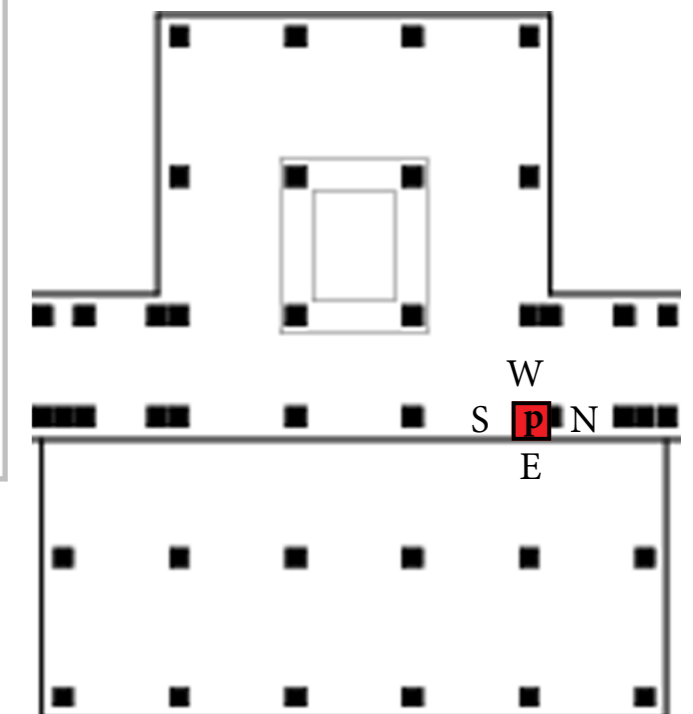
Iconography of Krishna Bazaar

o /E	o /S	o /W	o /N
			
<p>Top- Vaishnava emblem sankha (conch) Middle- Flower motif Bottom-</p>	<p>Top- Vaishnava emblem nama Middle- geometrical motif Bottom- Standing Hanuman / Anjaneya with raised hand</p>	<p>Top- Vaishnava emblem chakra (wheel) Middle- Seated Garuda in anjali hasta Bottom- Makara</p>	<p>Top- Middle- Hamsa Bottom- Squatting Yali / Lion</p>

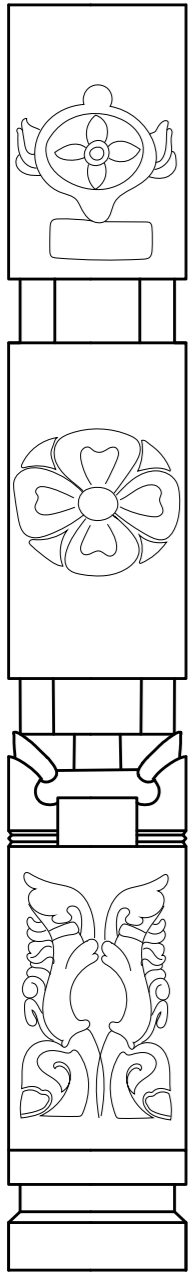
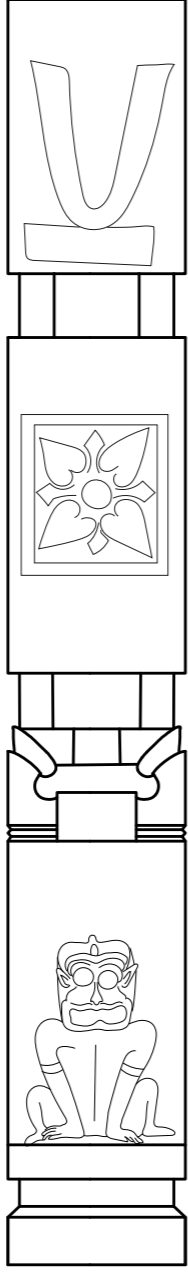
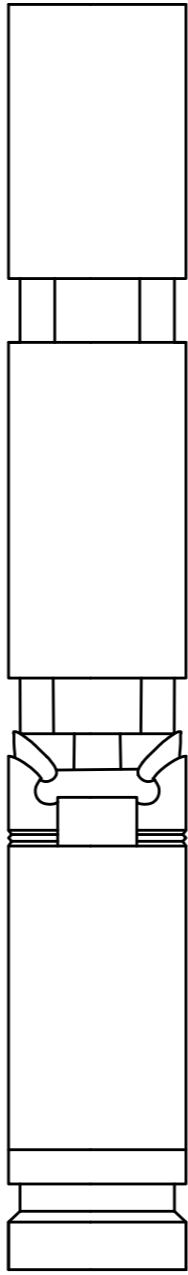
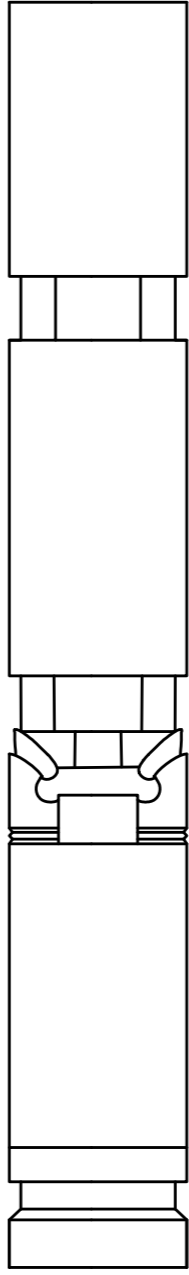


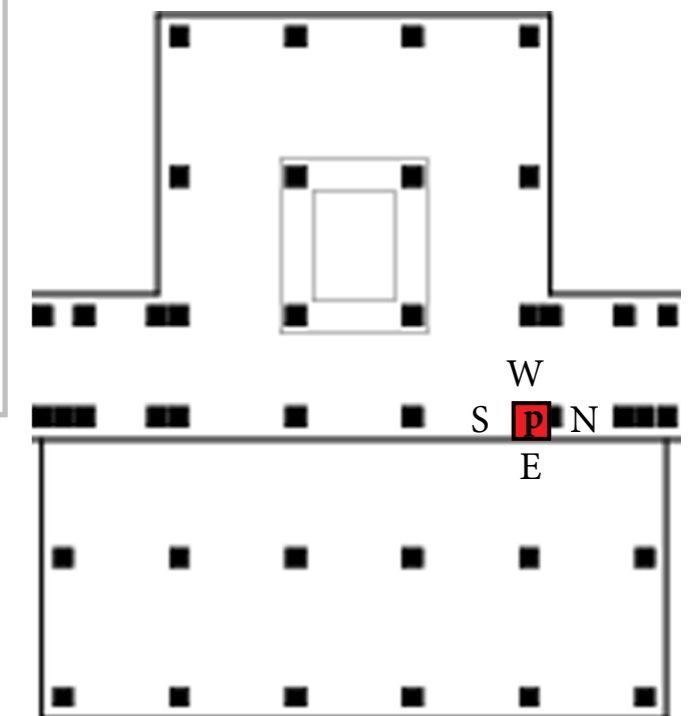
Iconography of Krishna Bazaar

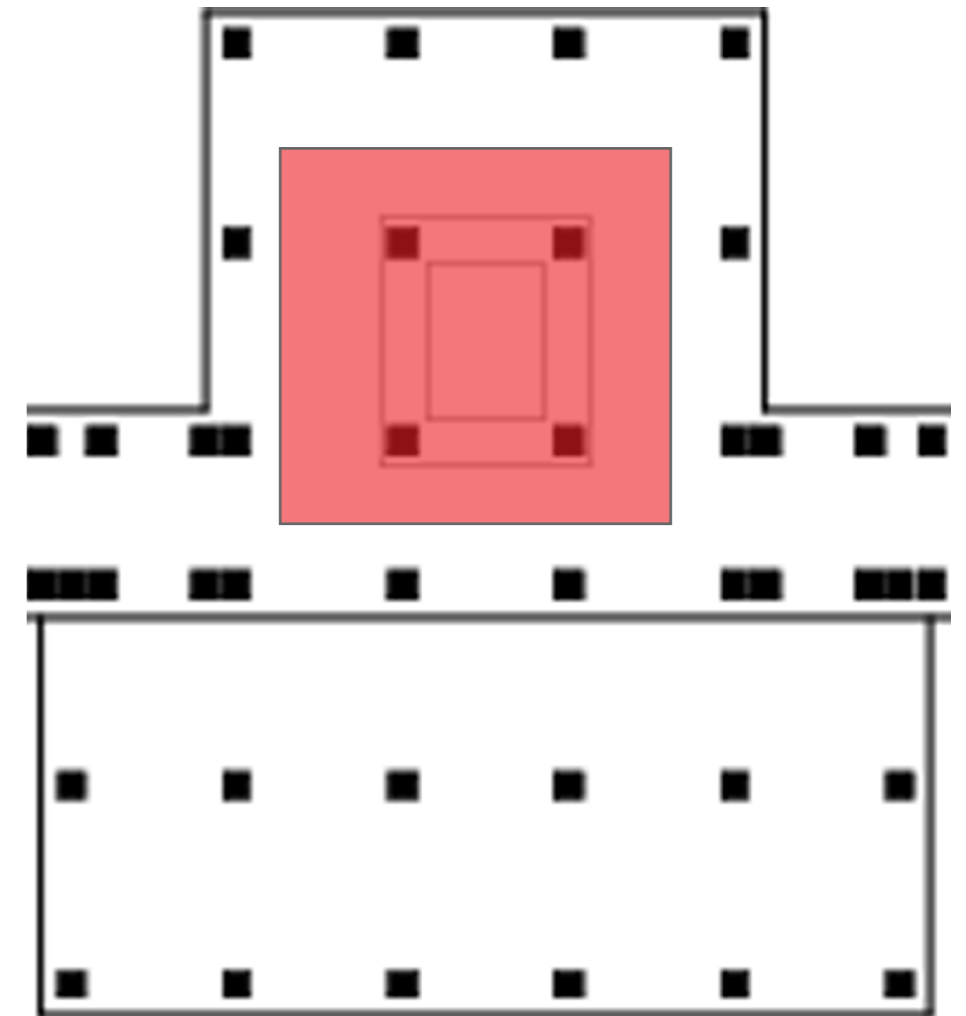
p /E	p /S	p /W	p /N
 <p data-bbox="115 1514 498 1654">Top- Vaishnava emblem chakra (wheel) Middle- Flower motif Bottom- Decorative motif</p>	 <p data-bbox="649 1520 1032 1627">Top- Vaishnava emblem nama Middle- Flower motif Bottom- Squatting Yali / lion</p>	<p data-bbox="1288 1545 1389 1577">No icon</p>	<p data-bbox="1852 1545 1952 1577">No icon</p>



Iconography of Krishna Bazaar

p / E	p / S	p / W	p / N
 <p data-bbox="133 1543 519 1690"> Top- Vaishnava emblem chakra (wheel) Middle- Flower motif Bottom- Decorative motif </p>	 <p data-bbox="667 1543 1053 1669"> Top- Vaishnava emblem nama Middle- Flower motif Bottom- Squatting Yali / lion </p>	 <p data-bbox="1380 1543 1498 1575">No icon</p>	 <p data-bbox="2003 1543 2122 1575">No icon</p>





Iconography of Krishna Bazaar

q /E



Top-Vaishnava emblem Chakra (wheel)
Middle- Kalinga mardana Krishna
Bottom- Tree Motif

q /S



Top- Vaishnava emblem Chakra
Middle- Decorative bird motif
Bottom- Narasimha

q /W

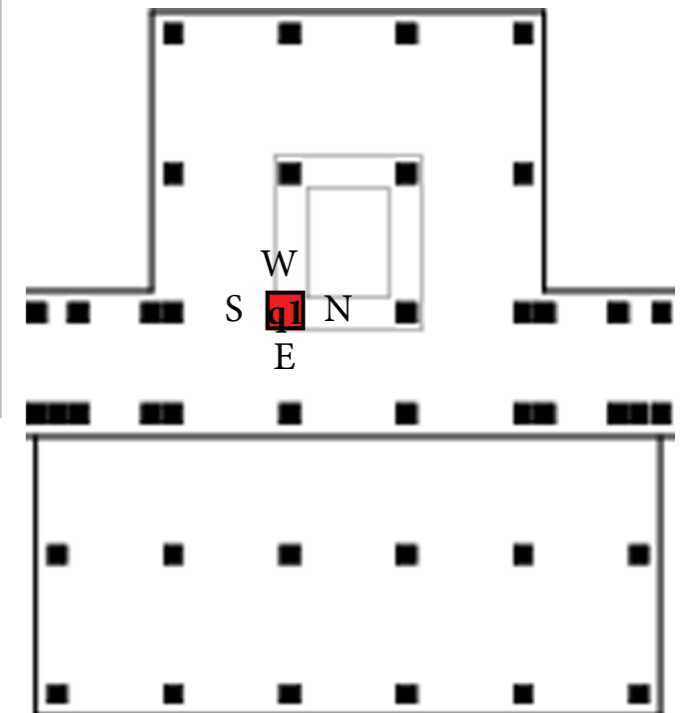


Top- Flower motif
Middle- Flower motif
Bottom- Matsya avatara

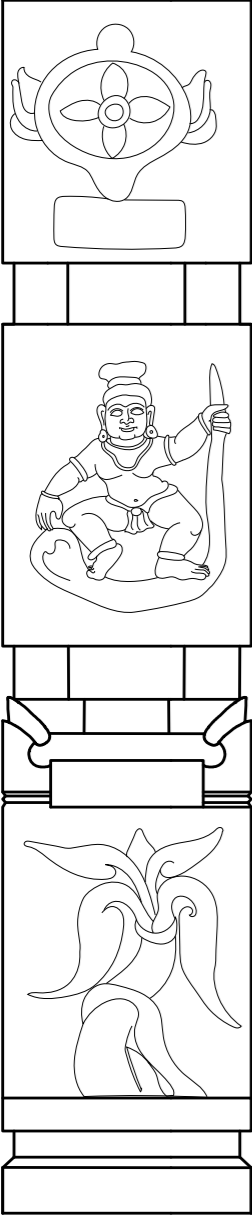
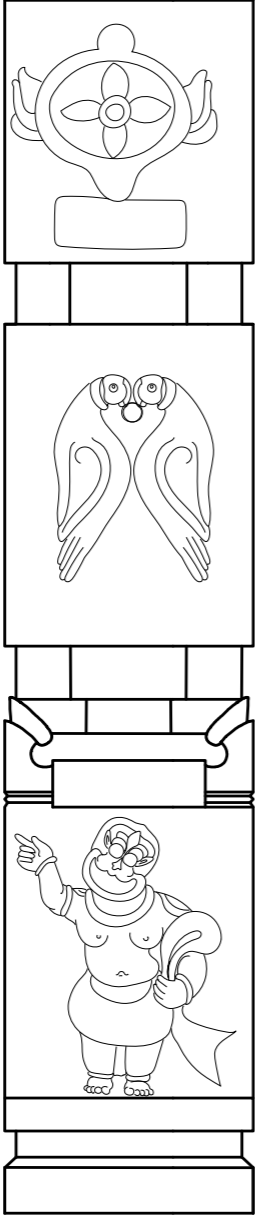
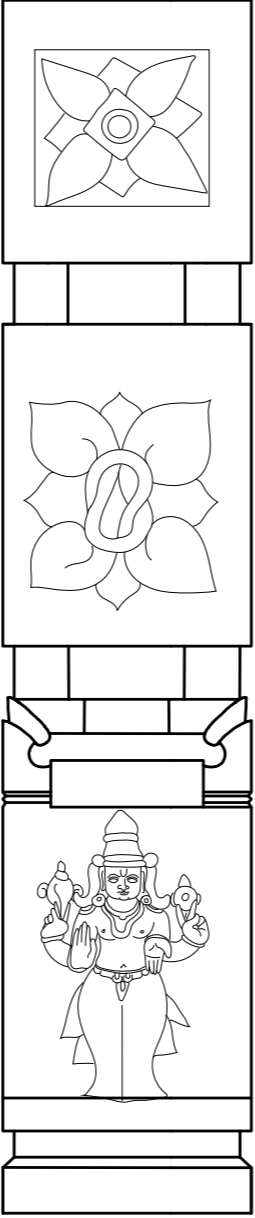
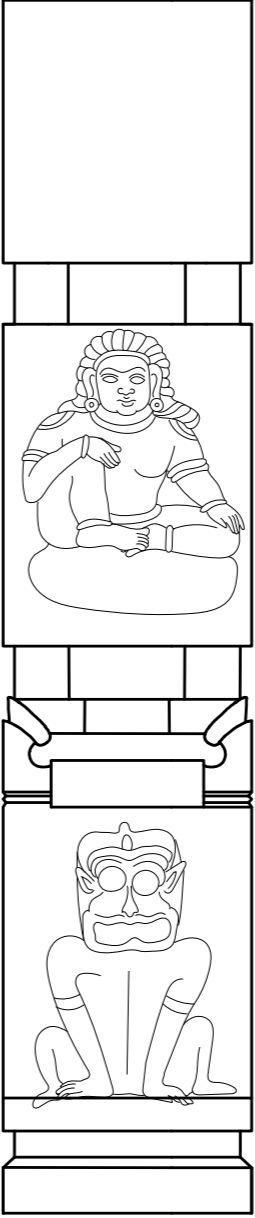
q /N

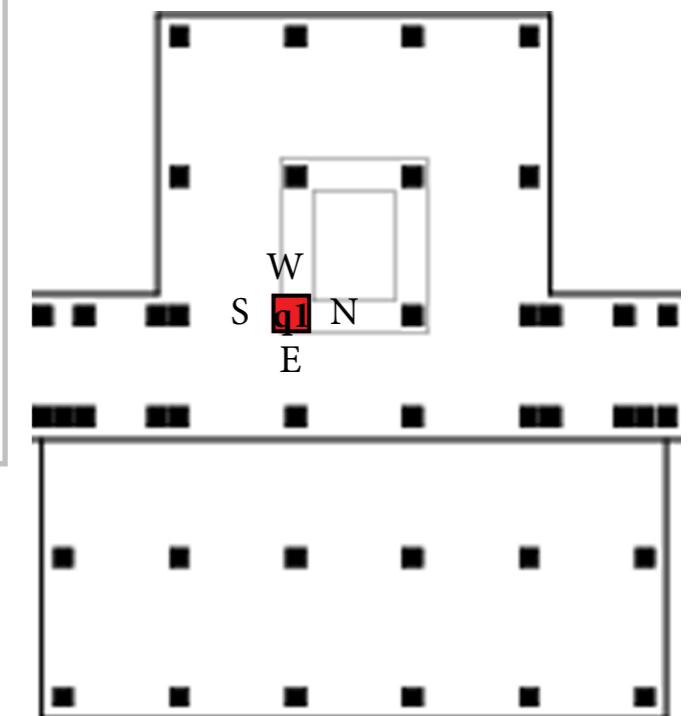


Top-
Middle- Seated Gana
Bottom- Squatting Yali /Lion



Iconography of Krishna Bazaar

q / E	q / S	q / W	q / N
			
<p>Top-Vaishnava emblem Chakra (wheel) Middle- Kalinga mardana Krishna Bottom- Tree Motif</p>	<p>Top- Vaishnava emblem Chakra Middle- Decorative bird motif Bottom- Narasimha</p>	<p>Top- Flower motif Middle- Flower motif Bottom- Matsya avatara</p>	<p>Top- Middle- Seated Gana Bottom- Squatting Yali /Lion</p>



Iconography of Krishna Bazaar

q2 /E



Top- Flower motif
Middle- Dancing Gana with snake in hand
Bottom- Kalasha

q2 /S



Top- Mayura (peacock)
Middle- Dancing Krishna
Bottom- Squatting Yali / Lion

q2 /W

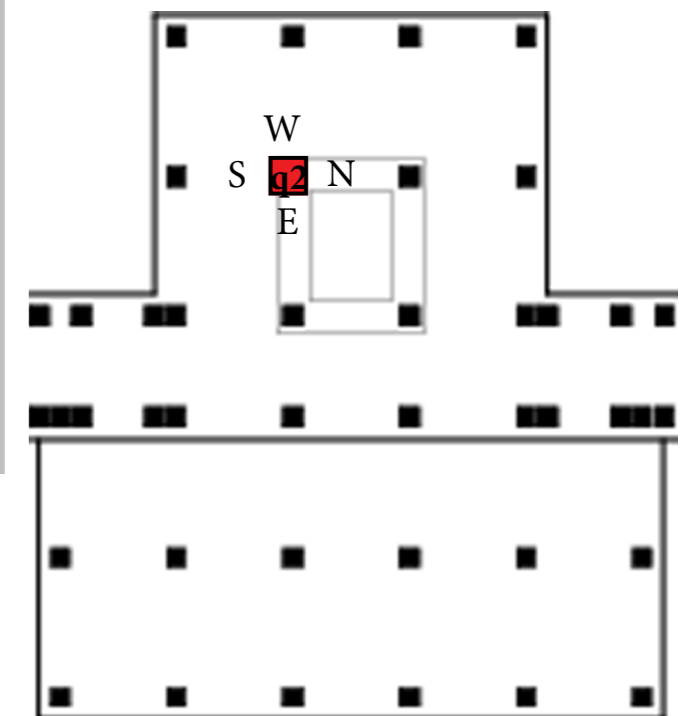


Top- Flower motif
Middle- Ramanuja acharya in anjali hasta
Bottom- Dancing Gana with snake in hand

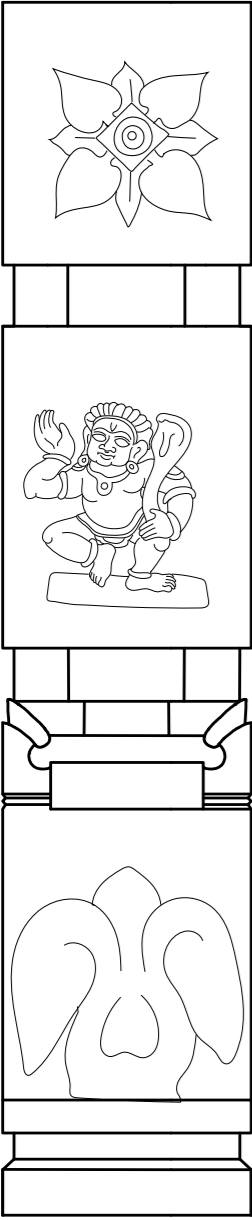
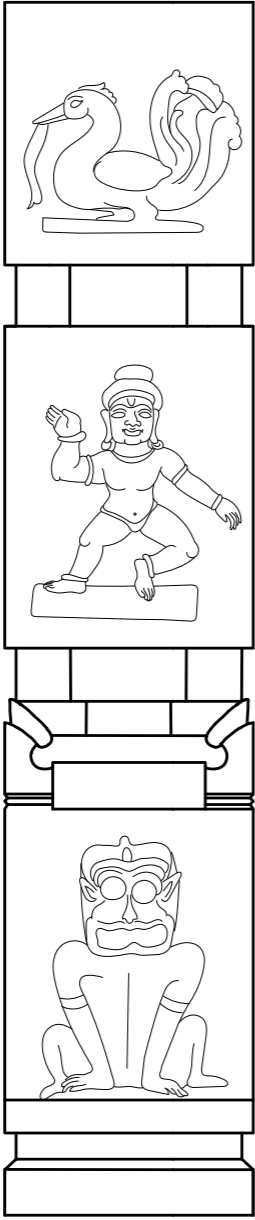
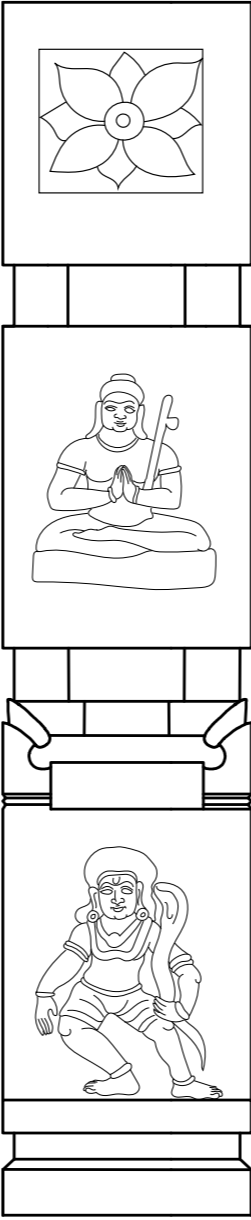
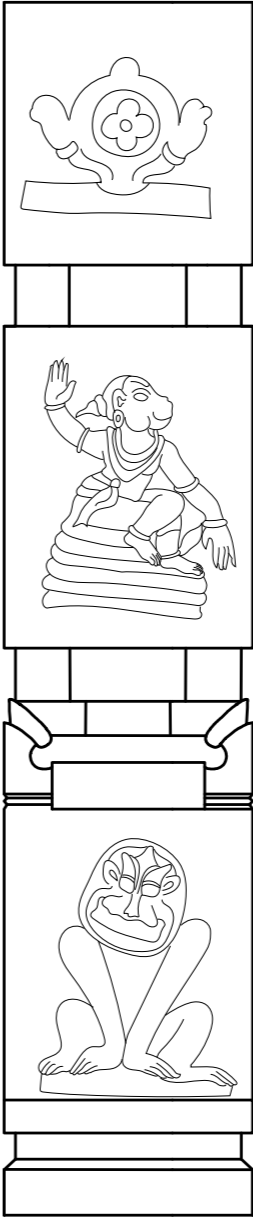
q2 /N

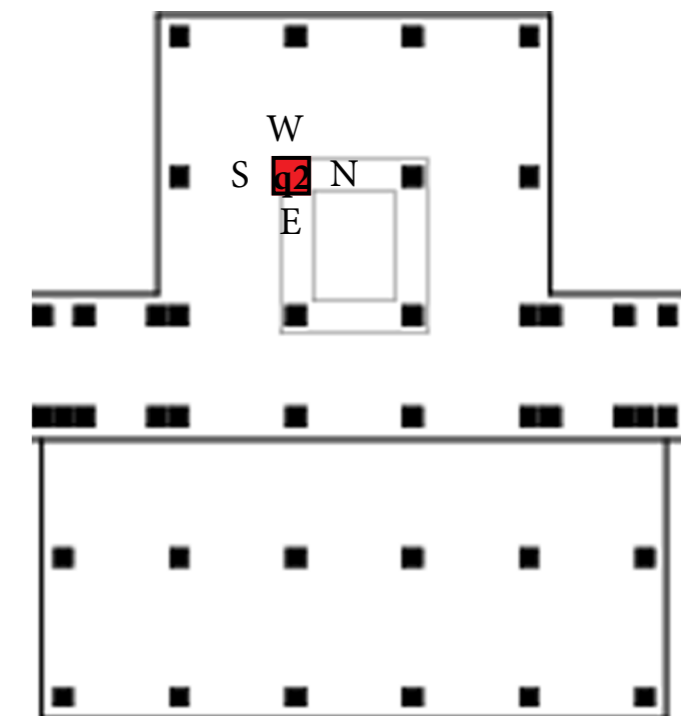


Top- Vaishnava emblem chakra (wheel)
Middle- Seated Hanuman / Anjaneya with raised hand
Bottom- Squatting Yali / Lion



Iconography of Krishna Bazaar

q2 /E	q2 /S	q2 /W	q2 /N
			
<p>Top- Flower motif Middle- Dancing Gana with snake in hand Bottom- Kalasha</p>	<p>Top- Mayura (peacock) Middle- Dancing Krishna Bottom- Squatting Yali / Lion</p>	<p>Top- Flower motif Middle- Ramanuja acharya in anjali hasta Bottom- Dancing Gana with snake in hand</p>	<p>Top- Vaishnava emblem chakra (wheel) Middle- Seated Hanuman / Anjaneya with raised hand Bottom- Squatting Yali / Lion</p>



Iconography of Krishna Bazaar

q3 /E



Top- Vaishanava emblem chakra (wheel)
 Middle- Sidda (ascetic) with umbrella
 Bottom- Seated Narasimha

q3 /S



Top- Seated Hanuman /Anjaneya with raised hands
 Middle- Narada
 Bottom- Elephant

q3 /W

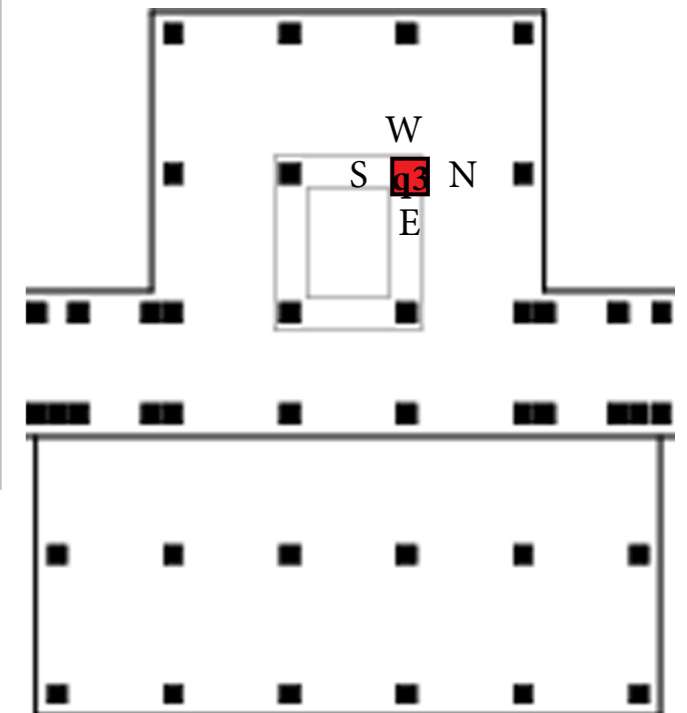


Top-
 Middle- Ramanuja acharya
 Bottom- person wearing gongadi (cloak) with staff

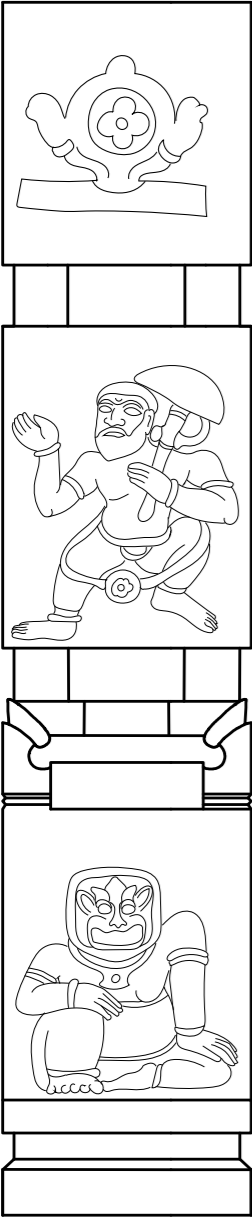
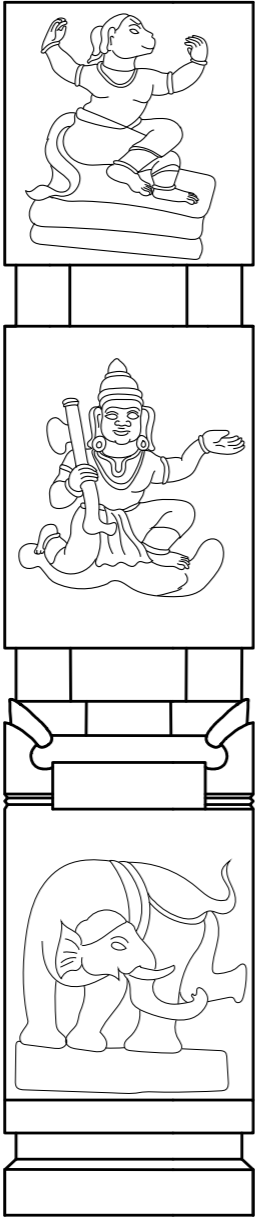
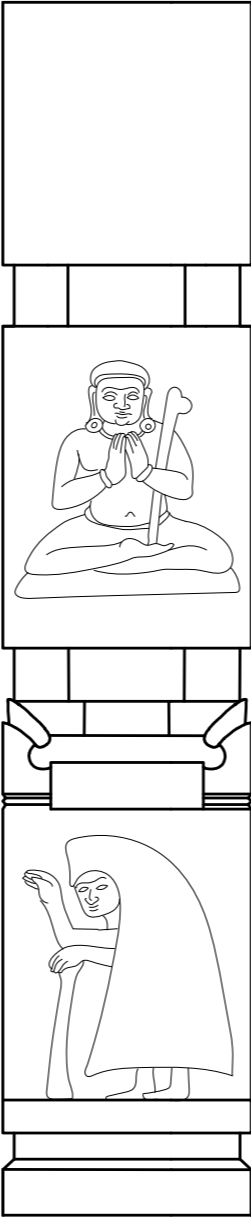
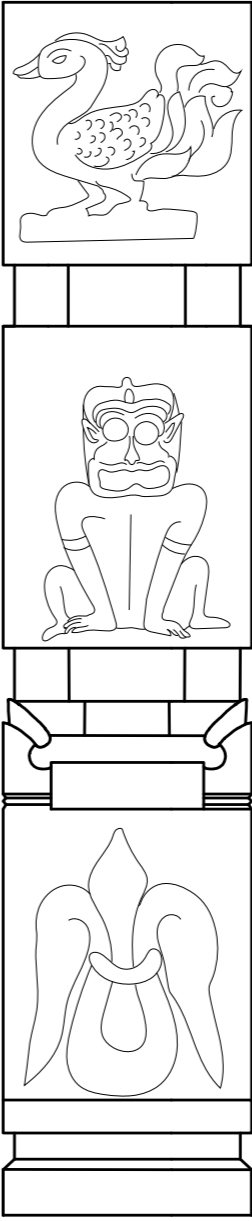
q3 /N

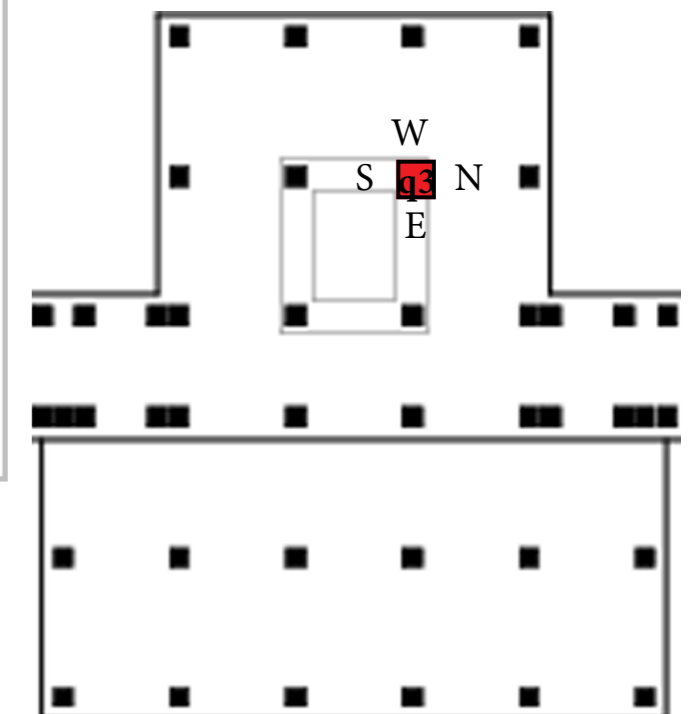


Top- Mayura (peacock)
 Middle- Squatting Yali / Lion
 Bottom- Kalasha



Iconography of Krishna Bazaar

q3 /E	q3 /S	q3 /W	q3 /N
			
<p>Top- Vaishanava emblem chakra (wheel) Middle- Sidda (ascetic) with umbrella Bottom- Seated Narasimha</p>	<p>Top- Seated Hanuman /Anjaneya with raised hands Middle- Narada Bottom- Elephant</p>	<p>Top- Middle- Ramanuja acharya Bottom- person wearing gongadi (cloak) with staff</p>	<p>Top- Mayura (peacock) Middle- Squatting Yali / Lion Bottom- Kalasha</p>



Iconography of Krishna Bazaar

q4 /E



Top- Gana
Middle- Mayura (peacock)
Bottom- Squatting Yali/ Lion

q4 /S



Top- Flower motif
Middle- Yali /Lion
Bottom- Gana with snake in hand

q4 /W

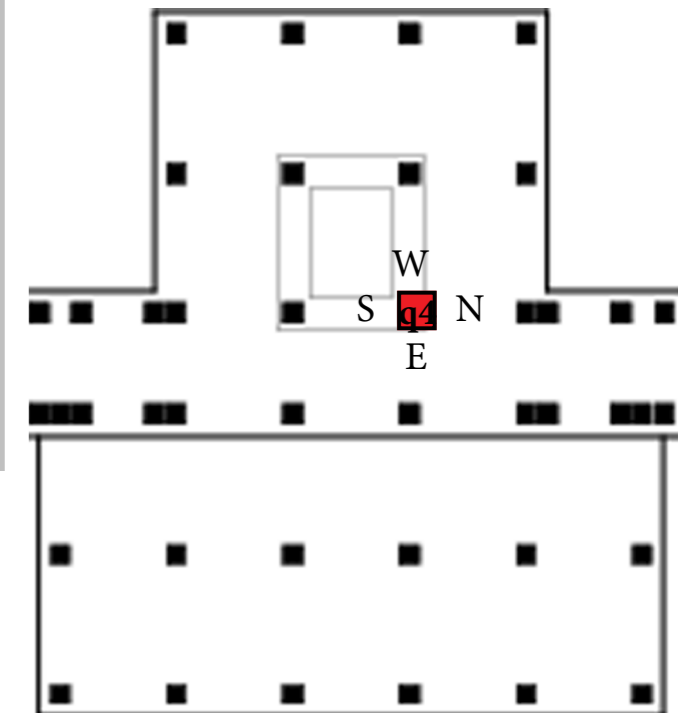


Top- Vaishanava emblem chakra (wheel)
Middle- Hamsa (swan)
Bottom- Squatting Yali /Lion

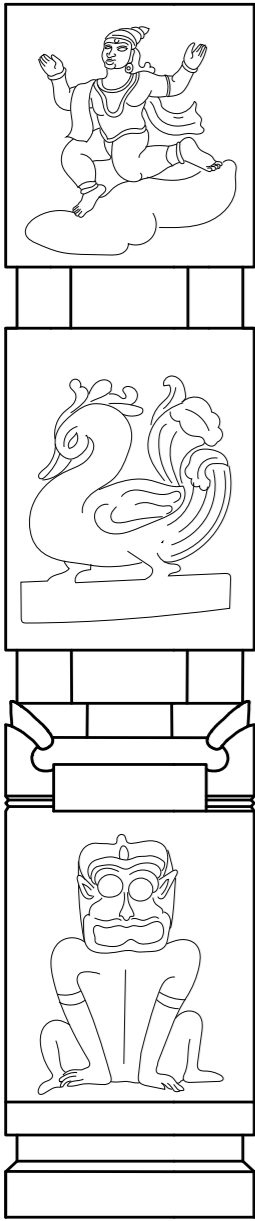
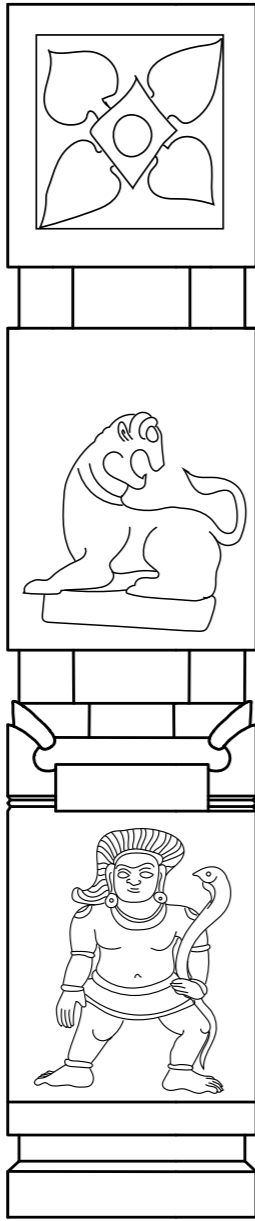
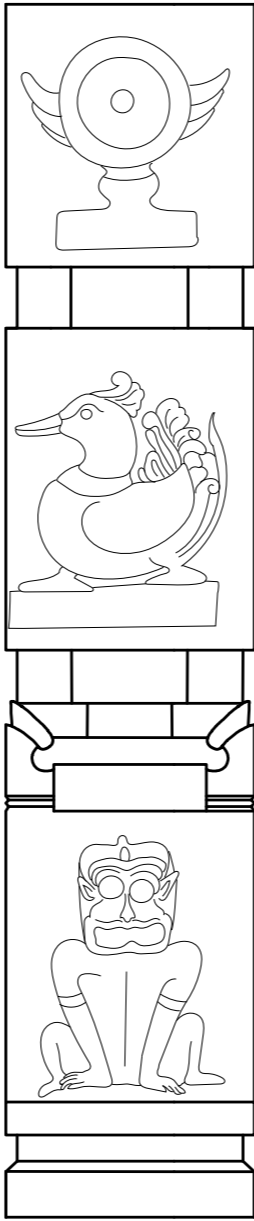
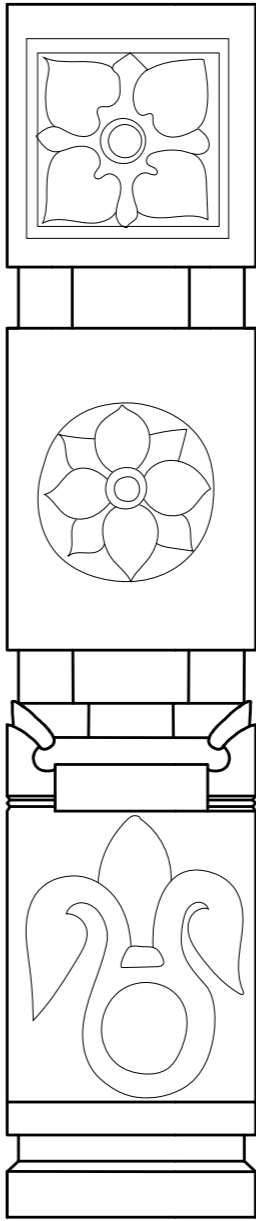
q4 /N



Top- Flower motif
Middle- Flower motif
Bottom- Kalasha



Iconography of Krishna Bazaar

q4 / E	q4 / S	q4 / W	q4 / N
			
<p>Top- Gana Middle- Mayura (peacock) Bottom- Squatting Yali/ Lion</p>	<p>Top- Flower motif Middle- Yali /Lion Bottom- Gana with snake in hand</p>	<p>Top- Vaishanava emblem chakra (wheel) Middle- Hamsa (swan) Bottom- Squatting Yali /Lion</p>	<p>Top- Flower motif Middle- Flower motif Bottom- Kalasha</p>

